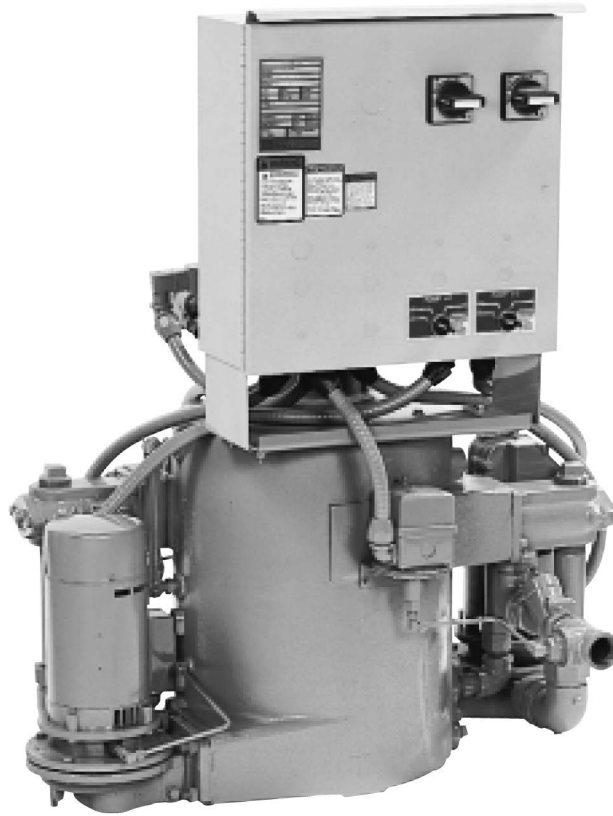


PART LISTS

DHP-500R3-PL



Domestic® Pump

Series MJ™

Clinical & Industrial Vacuum Units

INDEX

| | |
|---------------------------------------|---------|
| How to use this parts list | Page 3 |
| Model Number Cross Reference | Page 4 |
| 20 S .5-35 | Page 5 |
| 20 D .5-35 | Page 6 |
| 20 S .75-35 | Page 7 |
| 20 D .75-35 | Page 8 |
| 20 S 1-35 | Page 9 |
| 20 D 1-35 | Page 10 |
| 50 S 1.5-35 | Page 11 |
| 50 D 1.5-35 | Page 12 |
| 50 S 2-35 | Page 13 |
| 50 D 2-35 | Page 14 |
| 50 S 3-35 | Page 15 |
| 50 D 3-35 | Page 16 |
| 50 S 3-17 | Page 17 |
| 50 D 3-17 | Page 18 |
| 100 S 5-17 | Page 19 |
| 100 D 5-17 | Page 20 |
| 100 S 7.5-17 | Page 21 |
| 100 D 7.5-17 | Page 22 |
| 160 S 10-17 | Page 23 |
| 160 D 10-17 | Page 24 |
| 160 S 15-17 | Page 25 |
| 160 D 15-17 | Page 26 |
| Float Assembly for 20 MJ | Page 27 |
| Float Assembly for 50 MJ | Page 28 |
| Float Assembly for 100 MJ | Page 29 |
| Float Assembly for 160 MJ | Page 30 |
| Pump Information | Page 31 |
| General Accessories | Page 32 |
| Unit Drawing for Parts Identification | Page 33 |

How to use this PARTS LIST

The nameplate identifies the unit by its model number and capacities are noted. Specific unit information is determined by identifying the model number. Parts information is detailed for simplex unit construction. Duplex units have multiple pump and vacuum producers. Quantities of specific items should be adjusted accordingly.

| | | |
|---|---------------------------|-------|
| TM | | |
| SERIES TM | | |
| MODEL | | |
| SERIAL | | |
| GPM | PSI | PUMP |
| CFM | IN HG. | PUMP |
| DWGS | | |
| | | |
| POWER V. | PH. | HZ 60 |
| CONTROL V. | PH. 1 | HZ 60 |
| TOTAL F.L. AMP | LARGEST MOTOR F.L. AMP | |
| Bell & Gossett Morton Grove, Illinois 60053 | | |

The following procedure will result in proper parts selection:

1. Determine from the unit nameplate the unit model number and its vacuum capacity.
2. Refer to the index to identify the appropriate page for parts selection.
3. Using the appropriate referenced drawings, select the parts.

Note that units have been distributed using other model numbers. Additional model numbers have been cross referenced on the following page. Sales distribution was also done via the Kinney Vacuum Co., Canton, Mass. & Boston, Mass. Nameplates showing the Kinney Vacuum Co. KLJ model designation indicate both the Kinney Vacuum Co. serial number and the Domestic Pump Co. serial number. Parts information is noted in the parts list and a cross reference of KLJ Model Number to Current Model number follows.

Unit model cross reference

| Kinney Vacuum Model # | Alternate Domestic Model # | Current Model # |
|-----------------------|----------------------------|-----------------|
| SIMPLEX UNITS | | |
| KLJ-5 | none | 20S-1/2-35 |
| KLJ-6 | none | 20S-3/4-35 |
| KLJ-9 | none | 20S-1-35 |
| KLJ-15 | US-1 | 50S-1-1/2-35 |
| KLJ-21 | US-2 | 50S-2-35 |
| KLJ-22 | none | 50S-2-17 |
| KLJ-32 | none | 50S-3-35 |
| KLJ-33 | US-3 | 50S-3-17 |
| KLJ-60 | US-4 | 100S-5-17 |
| KLJ-90 | US-5 | 100S-7-1/2-17 |
| KLJ-120 | US-6 | 160S-10-17 |
| KLJ-160 (or KLJ-170) | US-7 | 160S-15-17 |

DUPLEX UNITS

| | | |
|----------|------|---------------|
| KLJD-10 | none | 20D-1/2-35 |
| KLJD-12 | none | 20D-3/4-35 |
| KLJD-18 | none | 20D-1-35 |
| KLJD-30 | UD-1 | 50D-1-1/2-35 |
| KLJD-42 | UD-2 | 50D-2-35 |
| KLJD-44 | none | 50D-2-17 |
| KLJD-64 | none | 50D-3-35 |
| KLJD-66 | UD-3 | 50D-3-17 |
| KLJD-120 | UD-4 | 100D-5-17 |
| KLJD-180 | UD-5 | 100D-7-1/2-17 |
| KLJD-240 | UD-6 | 160D-10-17 |
| KLJD-340 | UD-7 | 160D-15-17 |

| ITEM NO. | Part Name | 5" to 10" Hg Vacuum | 15" Hg Vacuum | 20" to 24" Hg Vacuum | 26" Hg Vacuum | QTY |
|-------------------------|--------------------------------|------------------------|------------------|-------------------------|------------------|-----|
| 1 | Separation Chamber | DR0262 | DR0262 | DR0262 | DR0262 | 1 |
| 2 | Gasket | DG0060 | DG0060 | DG0060 | DG0060 | 2 |
| 19a | Water Level Glass Holder | DV0343 | DV0342 | DV0342 | DV0342 | 1 |
| 19c | Guage Glass Only | DV0345 | DV0345 | DV0345 | DV0345 | 1 |
| 19B | Guard Rod | DV0367 | DV0367 | DV0367 | DV0367 | 2 |
| 20 | Air Vent Housing Gasket | DG0001 | DG0001 | DG0001 | DG0001 | 1 |
| 21 | Air Vent Housing | DL0596 | DL0596 | DL0596 | DL0596 | 1 |
| 22 | Nozzle Body Gasket | DG0152 | DG0152 | DG0152 | DG0152 | 2 |
| 23 | Venturi (1) | DL1131 | DL1131 | DL1131 | DL1131 (1) | 1 |
| 26 | Nozzle Retaining Ring (Pin) | (DL1457) | (DL1457) | (DL1457) | (DL1457) | 1 |
| 29 | Manifold Cover Gasket | DG0149 | DG0149 | DG0149 | DG0149 | 1 |
| 31 | Check Valve Mtg. Flange Gasket | DG0115 | DG0115 | DG0115 | DG0115 | 1 |
| 36 | Union Elbow 90 degree | DF0123 | DF0123 | DF0123 | DF0123 | 1 |
| 36a | Nipple (Pump to Elbow) | DL0286 | DL0286 | DL0286 | DL0286 | 1 |
| 36b | Nipple (Elbow to Nozzle Body) | DL0298 | DL0298 | DL0298 | DL0298 | 1 |
| 38 | Nozzle Body (2) | DL1421 | DL1421 | DL1421 | DL1421 | 1 |
| 39 | Nozzle (1 & 2) | DL1410 | DL1410 | DL1410 | DL1410 (1) | 1 |
| 40 | Nozzle Body Cover (2) | DL1452 | DL1452 | DL1452 | DL1452 | 1 |
| 41 | Street Elbow (2) | DF0167 | DF0167 | DF0167 | DF0167 | 1 |
| 42 | Pipe Nipple (2) | P19790 | P19790 | P19790 | P19790 | 2 |
| 43 | Swing Check Valve (2) | DV1084 | DV1084 | DV1084 | DV1084 | 1 |
| Pump air relief | Plug 1/8" | DF0292 | DF0292 | DF0292 | DF0292 | 1 |
| Drain | Plug 1/2" | DF0299 | DF0299 | DF0299 | DF0299 | 1 |
| Vacuum Switch | Fitting (Straight) | DF0506 | DF0506 | DF0506 | DF0506 | 1 |
| Vacuum Switch | Fitting (90 deg. Elbow) | DF0507 | DF0507 | DF0507 | DF0507 | 1 |
| Vacuum Switch | Capscrew 1/4 -20 | DJ0023 | DJ0023 | DJ0023 | DJ0023 | 1 |
| Nozzle Body Flange | Capscrew 3/8-16 | DJ0071 | DJ0071 | DJ0071 | DJ0071 | 2 |
| Pump Mounting | Nut | F11400 | F11400 | F11400 | F11400 | 8 |
| Nozzle Body mounting | Stud bolt 3/8-16 | DJ0471 | DJ0471 | DJ0471 | DJ0471 | 12 |
| Pump Mounting | Stud, pump case | DJ0478 | DJ0478 | DJ0478 | DJ0478 | 8 |
| | Blind Flange | DF0210 | DF0210 | DF0210 | DF0210 | 1 |
| | Nozzle body Blind Flange | DL1461 | DL1461 | DL1461 | DL1461 | 1 |
| Nozzle Body Coverplate | Capscrew | J92291 | J92291 | J92291 | J92291 | 1 |
| Vacuum Switch | Tee | S02300 | S02300 | S02300 | S02300 | 2 |
| Nozzle Body | Plug | U24900 | U24900 | U24900 | U24900 | 1 |
| | Hex Bushing 1-1/4x1/4 | DF0015 | DF0015 | DF0015 | DF0015 | 1 |
| Vacuum Switch | Copper Tubing | X42104 | X42104 | X42104 | X42104 | 0.5 |
| Nozzle Body/Check Valve | Flange | P03251 | P03251 | P03251 | P03251 | 1 |
| for make up | Y Strainer | DA0031 | DA0031 | DA0031 | DA0031 | 1 |
| for make up | Nipple | DL0021 | DL0021 | DL0021 | DL0021 | 1 |
| for make up | Nipple | DL0060 | DL0060 | DL0060 | DL0060 | 1 |
| for make up | Plug | H47900 | H47900 | H47900 | H47900 | 1 |
| for make up | Reducing Tee | J89108 | J89108 | J89108 | J89108 | 1 |
| for make up | Hex Bushing | J89428 | J89428 | J89428 | J89428 | 1 |
| for make up | Solenoid Valve Asm (115 V) | 180092 | 180092 | 180092 | 180092 | 1 |
| If no TLS | Plug | DF0299 | DF0299 | DF0299 | DF0299 | 1 |
| | Vacuum Switch | DE0987 | DE0987 | DE0987 | DE0989 | 1 |

(1) KLJ Units use DL1130 Venturi, DL1408 Nozzle & DP0308 Impeller @ 3-11/16" diameter

(2) These item numbers are used only on 1/2 thru 1 HP, 3500 RPM units

| ITEM NO. | Part Name | 5" to 10" Hg Vacuum | 15" Hg Vacuum | 20" to 24" Hg Vacuum | 26" Hg Vacuum | QTY |
|-------------------------|--------------------------------|------------------------|------------------|-------------------------|------------------|-----|
| 1 | Separation Chamber | DR0262 | DR0262 | DR0262 | DR0262 | 1 |
| 2 | Gasket | DG0060 | DG0060 | DG0060 | DG0060 | 2 |
| 19a | Water Level Glass Holder | DV0343 | DV0342 | DV0342 | DV0342 | 1 |
| 19c | Guage Glass Only | DV0345 | DV0345 | DV0345 | DV0345 | 1 |
| 19B | Guard Rod | DV0367 | DV0367 | DV0367 | DV0367 | 2 |
| 20 | Air Vent Housing Gasket | DG0001 | DG0001 | DG0001 | DG0001 | 1 |
| 21 | Air Vent Housing | DL0596 | DL0596 | DL0596 | DL0596 | 1 |
| 22 | Nozzle Body Gasket | DG0152 | DG0152 | DG0152 | DG0152 | 2 |
| 23 | Venturi (1) | DL1131 | DL1131 | DL1131 | DL1131 (1) | 2 |
| 26 | Nozzle Retaining Ring (Pin) | (DL1457) | (DL1457) | (DL1457) | (DL1457) | 2 |
| 29 | Manifold Cover Gasket | DG0149 | DG0149 | DG0149 | DG0149 | 2 |
| 31 | Check Valve Mtg. Flange Gasket | DG0115 | DG0115 | DG0115 | DG0115 | 2 |
| 36 | Union Elbow 90 degree | DF0123 | DF0123 | DF0123 | DF0123 | 2 |
| 36a | Nipple (Pump to Elbow) | DL0286 | DL0286 | DL0286 | DL0286 | 2 |
| 36b | Nipple (Elbow to Nozzle Body) | DL0298 | DL0298 | DL0298 | DL0298 | 2 |
| 38 | Nozzle Body (2) | DL1421 | DL1421 | DL1421 | DL1421 | 2 |
| 39 | Nozzle (1 & 2) | DL1410 | DL1410 | DL1410 | DL1410 (1) | 2 |
| 40 | Nozzle Body Cover (2) | DL1452 | DL1452 | DL1452 | DL1452 | 2 |
| 41 | Street Elbow (2) | DF0167 | DF0167 | DF0167 | DF0167 | 2 |
| 42 | Pipe Nipple (2) | P19790 | P19790 | P19790 | P19790 | 4 |
| 43 | Swing Check Valve (2) | DV1084 | DV1084 | DV1084 | DV1084 | 2 |
| Pump air relief | Plug 1/8" | DF0292 | DF0292 | DF0292 | DF0292 | 1 |
| Drain | Plug 1/2" | DF0299 | DF0299 | DF0299 | DF0299 | 1 |
| Vacuum Switch | Fitting (Straight) | DF0506 | DF0506 | DF0506 | DF0506 | 2 |
| Vacuum Switch | Fitting (90 deg. Elbow) | DF0507 | DF0507 | DF0507 | DF0507 | 2 |
| Vacuum Switch | Capscrew 1/4 -20 | DJ0023 | DJ0023 | DJ0023 | DJ0023 | 4 |
| Nozzle Body Flange | Capscrew 3/8-16 | DJ0071 | DJ0071 | DJ0071 | DJ0071 | 4 |
| Pump Mounting | Nut | F11400 | F11400 | F11400 | F11400 | 8 |
| Nozzle Body mounting | Stud bolt 3/8-16 | DJ0471 | DJ0471 | DJ0471 | DJ0471 | 12 |
| Pump Mounting | Stud, pump case | DJ0478 | DJ0478 | DJ0478 | DJ0478 | 8 |
| | Blind Flange | DF0210 | DF0210 | DF0210 | DF0210 | 1 |
| | Nozzle body Blind Flange | DL1461 | DL1461 | DL1461 | DL1461 | 1 |
| Nozzle Body Coverplate | Capscrew | J92291 | J92291 | J92291 | J92291 | 4 |
| Vacuum Switch | Tee | S02300 | S02300 | S02300 | S02300 | 2 |
| Nozzle Body | Plug | U24900 | U24900 | U24900 | U24900 | 2 |
| | Hex Bushing 1-1/4x1/4 | DF0015 | DF0015 | DF0015 | DF0015 | 2 |
| Vacuum Switch | Copper Tubing | X42104 | X42104 | X42104 | X42104 | 1 |
| Nozzle Body/Check Valve | Flange | P03251 | P03251 | P03251 | P03251 | 2 |
| for make up | Y Strainer | DA0031 | DA0031 | DA0031 | DA0031 | 1 |
| for make up | Nipple | DL0021 | DL0021 | DL0021 | DL0021 | 1 |
| for make up | Nipple | DL0060 | DL0060 | DL0060 | DL0060 | 1 |
| for make up | Plug | H47900 | H47900 | H47900 | H47900 | 1 |
| for make up | Reducing Tee | J89108 | J89108 | J89108 | J89108 | 1 |
| for make up | Hex Bushing | J89428 | J89428 | J89428 | J89428 | 1 |
| for make up | Solenoid Valve Asm (115 V) | 180092 | 180092 | 180092 | 180092 | 1 |
| If no TLS | Plug | DF0299 | DF0299 | DF0299 | DF0299 | 1 |
| | Vacuum Switch | DE0987 | DE0987 | DE0987 | DE0989 | 1 |

(1) KLJ Units use DL1130 Venturi, DL1408 Nozzle & DP0308 Impeller @ 3-11/16" diameter

(2) These item numbers are used only on 1/2 thru 1 HP, 3500 RPM units

| ITEM NO. | Part Name | 5" to 10" Hg Vacuum | 15" Hg Vacuum | 20" to 24" Hg Vacuum | 26" to 28" Hg Vacuum | QTY |
|-------------------------|--------------------------------|------------------------|------------------|-------------------------|-------------------------|-----|
| 1 | Separation Chamber | DR0262 | DR0262 | DR0262 | DR0262 | 1 |
| 2 | Gasket | DG0060 | DG0060 | DG0060 | DG0060 | 2 |
| 19a | Water Level Glass Holder | DV0343 | DV0343 | DV0342 | DV0342 | 1 |
| 19c | Guage Glass Only | DV0345 | DV0345 | DV0345 | DV0345 | 1 |
| 19B | Guard Rod | DV0367 | DV0367 | DV0367 | DV0367 | 2 |
| 20 | Air Vent Housing Gasket | DG0001 | DG0001 | DG0001 | DG0001 | 1 |
| 21 | Air Vent Housing | DL0596 | DL0596 | DL0596 | DL0596 | 1 |
| 22 | Nozzle Body Gasket | DG0152 | DG0152 | DG0152 | DG0152 | 2 |
| 23 | Venturi | DL1131 | DL1131 | DL1131 | DL1131 | 1 |
| 26 | Nozzle Retaining Ring (Pin) | (DL0201) | (DL0201) | (DL0201) | (DL0201) | 1 |
| 29 | Manifold Cover Gasket | DG0149 | DG0149 | DG0149 | DG0149 | 1 |
| 31 | Check Valve Mtg. Flange Gasket | DG0115 | DG0115 | DG0115 | DG0115 | 1 |
| 36 | Union Elbow 90 degree | DF0123 | DF0123 | DF0123 | DF0123 | 1 |
| 36a | Nipple (Pump to Elbow) | DL0286 | DL0286 | DL0286 | DL0286 | 1 |
| 36b | Nipple (Elbow to Nozzle Body) | DL0298 | DL0298 | DL0298 | DL0298 | 1 |
| 38 | Nozzle Body (2) | DL1422 | DL1422 | DL1422 | DL1422 | 1 |
| 39 | Nozzle (2) | DL1373 | DL1373 | DL1373 | DL1373 | 1 |
| 40 | Nozzle Body Cover (2) | DL1452 | DL1452 | DL1452 | DL1452 | 1 |
| 41 | Street Elbow (2) | DF0167 | DF0167 | DF0167 | DF0167 | 1 |
| 42 | Pipe Nipple (2) | P19790 | P19790 | P19790 | P19790 | 2 |
| 43 | Swing Check Valve (2) | DV1084 | DV1084 | DV1084 | DV1084 | 1 |
| Pump air relief | Plug 1/8" | DF0292 | DF0292 | DF0292 | DF0292 | 1 |
| Drain | Plug 1/2" | DF0299 | DF0299 | DF0299 | DF0299 | 1 |
| Vacuum Switch | Fitting (Straight) | DF0506 | DF0506 | DF0506 | DF0506 | 1 |
| Vacuum Switch | Fitting (90 deg. Elbow) | DF0507 | DF0507 | DF0507 | DF0507 | 1 |
| Vacuum Switch | Capscrew 1/4 -20 | DJ0023 | DJ0023 | DJ0023 | DJ0023 | 1 |
| Nozzle Body Flange | Capscrew 3/8-16 | DJ0071 | DJ0071 | DJ0071 | DJ0071 | 2 |
| Pump Mounting | Nut | F11400 | F11400 | F11400 | F11400 | 8 |
| Nozzle Body mounting | Stud bolt 3/8-16 | DJ0471 | DJ0471 | DJ0471 | DJ0471 | 12 |
| Pump Mounting | Stud, pump case | DJ0478 | DJ0478 | DJ0478 | DJ0478 | 8 |
| | Blind Flange | DF0210 | DF0210 | DF0210 | DF0210 | 1 |
| | Nozzle body Blind Flange | DL1461 | DL1461 | DL1461 | DL1461 | 1 |
| Nozzle Body Coverplate | Capscrew | J92291 | J92291 | J92291 | J92291 | 1 |
| Vacuum Switch | Tee | S02300 | S02300 | S02300 | S02300 | 2 |
| Nozzle Body | Plug | U24900 | U24900 | U24900 | U24900 | 1 |
| | Hex Bushing 1-1/4x1/4 | DF0015 | DF0015 | DF0015 | DF0015 | 1 |
| Vacuum Switch | Copper Tubing | X42104 | X42104 | X42104 | X42104 | 0.5 |
| Nozzle Body/Check Valve | Flange | P03251 | P03251 | P03251 | P03251 | 1 |
| for make up | Y Strainer | DA0031 | DA0031 | DA0031 | DA0031 | 1 |
| for make up | Nipple | DL0021 | DL0021 | DL0021 | DL0021 | 1 |
| for make up | Nipple | DL0060 | DL0060 | DL0060 | DL0060 | 1 |
| for make up | Plug | H47900 | H47900 | H47900 | H47900 | 1 |
| for make up | Reducing Tee | J89108 | J89108 | J89108 | J89108 | 1 |
| for make up | Hex Bushing | J89428 | J89428 | J89428 | J89428 | 1 |
| for make up | Solenoid Valve Asm (115 V) | 180092 | 180092 | 180092 | 180092 | 1 |
| If no TLS | Plug | DF0299 | DF0299 | DF0299 | DF0299 | 1 |
| | Vacuum Switch | DE0987 | DE0987 | DE0987 | DE0989 | 1 |

(1) KLJ Units use DP0308 Impeller @ 4" diameter

(2) These item numbers are used only on 1/2 thru 1 HP, 3500 RPM units

| ITEM NO. | Part Name | 5" to 10" Hg Vacuum | 15" Hg Vacuum | 20" to 24" Hg Vacuum | 26" to 28" Hg Vacuum | QTY |
|-------------------------|--------------------------------|------------------------|------------------|-------------------------|-------------------------|-----|
| 1 | Separation Chamber | DR0262 | DR0262 | DR0262 | DR0262 | 1 |
| 2 | Gasket | DG0060 | DG0060 | DG0060 | DG0060 | 2 |
| 19a | Water Level Glass Holder | DV0343 | DV0342 | DV0342 | DV0342 | 1 |
| 19c | Guage Glass Only | DV0345 | DV0345 | DV0345 | DV0345 | 1 |
| 19B | Guard Rod | DV0367 | DV0367 | DV0367 | DV0367 | 2 |
| 20 | Air Vent Housing Gasket | DG0001 | DG0001 | DG0001 | DG0001 | 1 |
| 21 | Air Vent Housing | DL0596 | DL0596 | DL0596 | DL0596 | 1 |
| 22 | Nozzle Body Gasket | DG0152 | DG0152 | DG0152 | DG0152 | 2 |
| 23 | Venturi | DL1131 | DL1131 | DL1131 | DL1131 | 2 |
| 26 | Nozzle Retaining Ring (Pin) | (DL0201) | (DL0201) | (DL0201) | (DL0201) | 2 |
| 29 | Manifold Cover Gasket | DG0149 | DG0149 | DG0149 | DG0149 | 2 |
| 31 | Check Valve Mtg. Flange Gasket | DG0115 | DG0115 | DG0115 | DG0115 | 2 |
| 36 | Union Elbow 90 degree | DF0123 | DF0123 | DF0123 | DF0123 | 2 |
| 36a | Nipple (Pump to Elbow) | DL0286 | DL0286 | DL0286 | DL0286 | 2 |
| 36b | Nipple (Elbow to Nozzle Body) | DL0298 | DL0298 | DL0298 | DL0298 | 2 |
| 38 | Nozzle Body (2) | DL1422 | DL1422 | DL1422 | DL1422 | 2 |
| 39 | Nozzle (2) | DL1373 | DL1373 | DL1373 | DL1373 | 2 |
| 40 | Nozzle Body Cover (2) | DL1452 | DL1452 | DL1452 | DL1452 | 2 |
| 41 | Street Elbow (2) | DF0167 | DF0167 | DF0167 | DF0167 | 2 |
| 42 | Pipe Nipple (2) | P19790 | P19790 | P19790 | P19790 | 4 |
| 43 | Swing Check Valve (2) | DV1084 | DV1084 | DV1084 | DV1084 | 2 |
| Pump air relief | Plug 1/8" | DF0292 | DF0292 | DF0292 | DF0292 | 1 |
| Drain | Plug 1/2" | DF0299 | DF0299 | DF0299 | DF0299 | 1 |
| Vacuum Switch | Fitting (Straight) | DF0506 | DF0506 | DF0506 | DF0506 | 2 |
| Vacuum Switch | Fitting (90 deg. Elbow) | DF0507 | DF0507 | DF0507 | DF0507 | 2 |
| Vacuum Switch | Capscrew 1/4 -20 | DJ0023 | DJ0023 | DJ0023 | DJ0023 | 4 |
| Nozzle Body Flange | Capscrew 3/8-16 | DJ0071 | DJ0071 | DJ0071 | DJ0071 | 4 |
| Pump Mounting | Nut | F11400 | F11400 | F11400 | F11400 | 8 |
| Nozzle Body mounting | Stud bolt 3/8-16 | DJ0471 | DJ0471 | DJ0471 | DJ0471 | 12 |
| Pump Mounting | Stud, pump case | DJ0478 | DJ0478 | DJ0478 | DJ0478 | 8 |
| | Blind Flange | DF0210 | DF0210 | DF0210 | DF0210 | 1 |
| | Nozzle body Blind Flange | DL1461 | DL1461 | DL1461 | DL1461 | 1 |
| Nozzle Body Coverplate | Capscrew | J92291 | J92291 | J92291 | J92291 | 4 |
| Vacuum Switch | Tee | S02300 | S02300 | S02300 | S02300 | 2 |
| Nozzle Body | Plug | U24900 | U24900 | U24900 | U24900 | 2 |
| | Hex Bushing 1-1/4x1/4 | DF0015 | DF0015 | DF0015 | DF0015 | 2 |
| Vacuum Switch | Copper Tubing | X42104 | X42104 | X42104 | X42104 | 1 |
| Nozzle Body/Check Valve | Flange | P03251 | P03251 | P03251 | P03251 | 2 |
| for make up | Y Strainer | DA0031 | DA0031 | DA0031 | DA0031 | 1 |
| for make up | Nipple | DL0021 | DL0021 | DL0021 | DL0021 | 1 |
| for make up | Nipple | DL0060 | DL0060 | DL0060 | DL0060 | 1 |
| for make up | Plug | H47900 | H47900 | H47900 | H47900 | 1 |
| for make up | Reducing Tee | J89108 | J89108 | J89108 | J89108 | 1 |
| for make up | Hex Bushing | J89428 | J89428 | J89428 | J89428 | 1 |
| for make up | Solenoid Valve Asm (115 V) | 180092 | 180092 | 180092 | 180092 | 1 |
| If no TLS | Plug | DF0299 | DF0299 | DF0299 | DF0299 | 1 |
| | Vacuum Switch | DE0987 | DE0987 | DE0987 | DE0989 | 1 |

(1) KLJ Units use DP0308 Impeller @ 4" diameter

(2) These item numbers are used only on 1/2 thru 1 HP, 3500 RPM units

| ITEM NO. | Part Name | 5" to 10" Hg Vacuum | 15" Hg Vacuum | 20" to 24" Hg Vacuum | 26" to 28" Hg Vacuum | QTY |
|-------------------------|--------------------------------|------------------------|------------------|-------------------------|-------------------------|-----|
| 1 | Separation Chamber | DR0262 | DR0262 | DR0262 | DR0262 | 1 |
| 2 | Gasket | DG0060 | DG0060 | DG0060 | DG0060 | 2 |
| 19a | Water Level Glass Holder | DV0343 | DV0343 | DV0342 | DV0342 | 1 |
| 19c | Guage Glass Only | DV0345 | DV0345 | DV0345 | DV0345 | 1 |
| 19B | Guard Rod | DV0367 | DV0367 | DV0367 | DV0367 | 2 |
| 20 | Air Vent Housing Gasket | DG0001 | DG0001 | DG0001 | DG0001 | 1 |
| 21 | Air Vent Housing | DL0596 | DL0596 | DL0596 | DL0596 | 1 |
| 22 | Nozzle Body Gasket | DG0152 | DG0152 | DG0152 | DG0152 | 2 |
| 23 | Venturi (1) | DL2008 | DL2008 | DL1131 | DL1131 (1) | 1 |
| 26 | Nozzle Retaining Ring (Pin) | (DL0201) | (DL0201) | (DL0201) | (DL0201) | 1 |
| 29 | Manifold Cover Gasket | DG0149 | DG0149 | DG0149 | DG0149 | 1 |
| 31 | Check Valve Mtg. Flange Gasket | DG0115 | DG0115 | DG0115 | DG0115 | 1 |
| 36 | Union Elbow 90 degree | DF0123 | DF0123 | DF0123 | DF0123 | 1 |
| 36a | Nipple (Pump to Elbow) | DL0286 | DL0286 | DL0286 | DL0286 | 1 |
| 36b | Nipple (Elbow to Nozzle Body) | DL0298 | DL0298 | DL0298 | DL0298 | 1 |
| 38 | Nozzle Body (2) | DL1422 | DL1422 | DL1422 | DL1422 | 1 |
| 39 | Nozzle (1 & 2) | DL2007 | DL2007 | DL2007 | DL2007 (1) | 1 |
| 40 | Nozzle Body Cover (2) | DL1452 | DL1452 | DL1452 | DL1452 | 1 |
| 41 | Street Elbow (2) | DF0167 | DF0167 | DF0167 | DF0167 | 1 |
| 42 | Pipe Nipple (2) | P19790 | P19790 | P19790 | P19790 | 2 |
| 43 | Swing Check Valve (2) | DV1084 | DV1084 | DV1084 | DV1084 | 1 |
| Pump air relief | Plug 1/8" | DF0292 | DF0292 | DF0292 | DF0292 | 1 |
| Drain | Plug 1/2" | DF0299 | DF0299 | DF0299 | DF0299 | 1 |
| Vacuum Switch | Fitting (Straight) | DF0506 | DF0506 | DF0506 | DF0506 | 1 |
| Vacuum Switch | Fitting (90 deg. Elbow) | DF0507 | DF0507 | DF0507 | DF0507 | 1 |
| Vacuum Switch | Capscrew 1/4 -20 | DJ0023 | DJ0023 | DJ0023 | DJ0023 | 1 |
| Nozzle Body Flange | Capscrew 3/8-16 | DJ0071 | DJ0071 | DJ0071 | DJ0071 | 2 |
| Pump Mounting | Nut | F11400 | F11400 | F11400 | F11400 | 8 |
| Nozzle Body mounting | Stud bolt 3/8-16 | DJ0471 | DJ0471 | DJ0471 | DJ0471 | 12 |
| Pump Mounting | Stud, pump case | DJ0478 | DJ0478 | DJ0478 | DJ0478 | 8 |
| | Blind Flange | DF0210 | DF0210 | DF0210 | DF0210 | 1 |
| | Nozzle body Blind Flange | DL1461 | DL1461 | DL1461 | DL1461 | 1 |
| Nozzle Body Coverplate | Capscrew | J92291 | J92291 | J92291 | J92291 | 1 |
| Vacuum Switch | Tee | S02300 | S02300 | S02300 | S02300 | 2 |
| Nozzle Body | Plug | U24900 | U24900 | U24900 | U24900 | 1 |
| | Hex Bushing 1-1/4x1/4 | DF0015 | DF0015 | DF0015 | DF0015 | 1 |
| Vacuum Switch | Copper Tubing | X42104 | X42104 | X42104 | X42104 | 0.5 |
| Nozzle Body/Check Valve | Flange | P03251 | P03251 | P03251 | P03251 | 1 |
| for make up | Y Strainer | DA0031 | DA0031 | DA0031 | DA0031 | 1 |
| for make up | Nipple | DL0021 | DL0021 | DL0021 | DL0021 | 1 |
| for make up | Nipple | DL0060 | DL0060 | DL0060 | DL0060 | 1 |
| for make up | Plug | H47900 | H47900 | H47900 | H47900 | 1 |
| for make up | Reducing Tee | J89108 | J89108 | J89108 | J89108 | 1 |
| for make up | Hex Bushing | J89428 | J89428 | J89428 | J89428 | 1 |
| for make up | Solenoid Valve Asm (115 V) | 180092 | 180092 | 180092 | 180092 | 1 |
| If no TLS | Plug | DF0299 | DF0299 | DF0299 | DF0299 | 1 |
| | Vacuum Switch | DE0987 | DE0987 | DE0987 | DE0989 | 1 |

(1) KLJ Units used DL1133 Venturi, DL1373 Nozzle & DP0308 Impeller @ 4-5/16" diameter

(2) These item numbers are used only on 1/2 thru 1 HP, 3500 RPM units

| ITEM NO. | Part Name | 5" to 10" Hg Vacuum | 15" Hg Vacuum | 20" to 24" Hg Vacuum | 26" to 28" Hg Vacuum | QTY |
|-------------------------|--------------------------------|------------------------|------------------|-------------------------|-------------------------|-----|
| 1 | Separation Chamber | DR0262 | DR0262 | DR0262 | DR0262 | 1 |
| 2 | Gasket | DG0060 | DG0060 | DG0060 | DG0060 | 2 |
| 19a | Water Level Glass Holder | DV0343 | DV0342 | DV0342 | DV0342 | 1 |
| 19c | Guage Glass Only | DV0345 | DV0345 | DV0345 | DV0345 | 1 |
| 19B | Guard Rod | DV0367 | DV0367 | DV0367 | DV0367 | 2 |
| 20 | Air Vent Housing Gasket | DG0001 | DG0001 | DG0001 | DG0001 | 1 |
| 21 | Air Vent Housing | DL0596 | DL0596 | DL0596 | DL0596 | 1 |
| 22 | Nozzle Body Gasket | DG0152 | DG0152 | DG0152 | DG0152 | 2 |
| 23 | Venturi (1) | DL2008 | DL2008 | DL1131 | DL1131 (1) | 2 |
| 26 | Nozzle Retaining Ring (Pin) | (DL0201) | (DL0201) | (DL0201) | (DL0201) | 2 |
| 29 | Manifold Cover Gasket | DG0149 | DG0149 | DG0149 | DG0149 | 2 |
| 31 | Check Valve Mtg. Flange Gasket | DG0115 | DG0115 | DG0115 | DG0115 | 2 |
| 36 | Union Elbow 90 degree | DF0123 | DF0123 | DF0123 | DF0123 | 2 |
| 36a | Nipple (Pump to Elbow) | DL0286 | DL0286 | DL0286 | DL0286 | 2 |
| 36b | Nipple (Elbow to Nozzle Body) | DL0298 | DL0298 | DL0298 | DL0298 | 2 |
| 38 | Nozzle Body (2) | DL1422 | DL1422 | DL1422 | DL1422 | 2 |
| 39 | Nozzle (1 & 2) | DL2007 | DL2007 | DL2007 | DL2007 (1) | 2 |
| 40 | Nozzle Body Cover (2) | DL1452 | DL1452 | DL1452 | DL1452 | 2 |
| 41 | Street Elbow (2) | DF0167 | DF0167 | DF0167 | DF0167 | 2 |
| 42 | Pipe Nipple (2) | P19790 | P19790 | P19790 | P19790 | 4 |
| 43 | Swing Check Valve (2) | DV1084 | DV1084 | DV1084 | DV1084 | 2 |
| Pump air relief | Plug 1/8" | DF0292 | DF0292 | DF0292 | DF0292 | 1 |
| Drain | Plug 1/2" | DF0299 | DF0299 | DF0299 | DF0299 | 1 |
| Vacuum Switch | Fitting (Straight) | DF0506 | DF0506 | DF0506 | DF0506 | 2 |
| Vacuum Switch | Fitting (90 deg. Elbow) | DF0507 | DF0507 | DF0507 | DF0507 | 2 |
| Vacuum Switch | Capscrew 1/4 -20 | DJ0023 | DJ0023 | DJ0023 | DJ0023 | 4 |
| Nozzle Body Flange | Capscrew 3/8-16 | DJ0071 | DJ0071 | DJ0071 | DJ0071 | 4 |
| Pump Mounting | Nut | F11400 | F11400 | F11400 | F11400 | 8 |
| Nozzle Body mounting | Stud bolt 3/8-16 | DJ0471 | DJ0471 | DJ0471 | DJ0471 | 12 |
| Pump Mounting | Stud, pump case | DJ0478 | DJ0478 | DJ0478 | DJ0478 | 8 |
| | Blind Flange | DF0210 | DF0210 | DF0210 | DF0210 | 1 |
| | Nozzle body Blind Flange | DL1461 | DL1461 | DL1461 | DL1461 | 1 |
| Nozzle Body Coverplate | Capscrew | J92291 | J92291 | J92291 | J92291 | 4 |
| Vacuum Switch | Tee | S02300 | S02300 | S02300 | S02300 | 2 |
| Nozzle Body | Plug | U24900 | U24900 | U24900 | U24900 | 2 |
| | Hex Bushing 1-1/4x1/4 | DF0015 | DF0015 | DF0015 | DF0015 | 2 |
| Vacuum Switch | Copper Tubing | X42104 | X42104 | X42104 | X42104 | 1 |
| Nozzle Body/Check Valve | Flange | P03251 | P03251 | P03251 | P03251 | 2 |
| for make up | Y Strainer | DA0031 | DA0031 | DA0031 | DA0031 | 1 |
| for make up | Nipple | DL0021 | DL0021 | DL0021 | DL0021 | 1 |
| for make up | Nipple | DL0060 | DL0060 | DL0060 | DL0060 | 1 |
| for make up | Plug | H47900 | H47900 | H47900 | H47900 | 1 |
| for make up | Reducing Tee | J89108 | J89108 | J89108 | J89108 | 1 |
| for make up | Hex Bushing | J89428 | J89428 | J89428 | J89428 | 1 |
| for make up | Solenoid Valve Asm (115 V) | 180092 | 180092 | 180092 | 180092 | 1 |
| If no TLS | Plug | DF0299 | DF0299 | DF0299 | DF0299 | 1 |
| | Vacuum Switch | DE0987 | DE0987 | DE0987 | DE0989 | 1 |

(1) KLJ Units used DL1133 Venturi, DL1373 Nozzle & DP0308 Impeller @ 4-5/16" diameter

(2) These item numbers are used only on 1/2 thru 1 HP, 3500 RPM units

50 S 1.5-35

| ITEM NO. | Part Name | 5" to 10" Hg Vacuum | 15" Hg Vacuum | 20" to 24" Hg Vacuum | 26" to 28" Hg Vacuum | QTY |
|----------------------------|--------------------------------|------------------------|------------------|-------------------------|-------------------------|-----|
| 1 | Separation Chamber | DR0272 | DR0272 | DR0272 | DR0272 | 1 |
| 2 | Gasket | DG0060 | DG0060 | DG0060 | DG0060 | 2 |
| 19a | Water Level Glass Holder | DV0343 | DV0343 | DV0343 | DV0343 | 1 |
| 19c | Guage Glass Only | DV0353 | DV0353 | DV0353 | DV0353 | 1 |
| 19B | Guard Rod | DV0383 | DV0383 | DV0383 | DV0383 | 2 |
| 20 | Air Vent Housing Gasket | DG0001 | DG0001 | DG0001 | DG0001 | 1 |
| 21 | Air Vent Housing | DL0598 | DL0598 | DL0598 | DL0598 | 1 |
| 22 | Nozzle Body Gasket | DG0150 | DG0150 | DG0150 | DG0150 | 2 |
| 23 | Venturi | DL1192 | DL1192 | DL1191 | DL1191 | 1 |
| 24 | Nozzle Body | DL1446 | DL1446 | DL1446 | DL1446 | 1 |
| 25 | Nozzle (1) | DL1337 | DL1337 | DL1335 | DL1335 | 1 |
| 26 | Nozzle Retaining Ring (Pin) | DL1486 | DL1486 | DL1486 | DL1486 | 1 |
| 27 | Dishcharge Manifold Gasket | DG0151 | DG0151 | DG0151 | DG0151 | 1 |
| 28 | Dishcharge Manifold | DL1476 | DL1476 | DL1476 | DL1476 | 1 |
| 29 | Manifold Cover Gasket | DG0127 | DG0127 | DG0127 | DG0127 | 1 |
| 30 | Manifold Cover | DA0150 | DA0150 | DA0150 | DA0150 | 1 |
| 31 | Check Valve Mtg. Flange Gasket | DG0116 | DG0116 | DG0116 | DG0116 | 1 |
| 32 | Check Valve | DV0083 | DV0083 | DV0083 | DV0083 | 1 |
| 33 | Check Valve Mounting Flange | DV0121 | DV0121 | DV0121 | DV0121 | 1 |
| 34 | Manifold Insert | DL1702 | DL1702 | DL1702 | DL1702 | 1 |
| 35 | Manifold Elbow Gasket | DG0142 | DG0142 | DG0142 | DG0142 | 2 |
| 35a | Manifold Elbow Gasket | DG0141 | DG0141 | DG0141 | DG0141 | 1 |
| 36 | Manifold Elbow | DL1724 | DL1724 | DL1724 | DL1724 | 1 |
| 36a | Manifold Elbow | DL1720 | DL1720 | DL1720 | DL1720 | 1 |
| Pump air relief | Plug 1/8" | DF0292 | DF0292 | DF0292 | DF0292 | 1 |
| Vacuum Switch | Fitting (Straight) | DF0506 | DF0506 | DF0506 | DF0506 | 2 |
| Vacuum Switch | Capscrew 1/4 -20 | DJ0023 | DJ0023 | DJ0023 | DJ0023 | 2 |
| Air Vent Hsg /Nozzle Bdy | Stud bolt 3/8-16 | DJ0471 | DJ0471 | DJ0471 | DJ0471 | 12 |
| Air Vent Hsg /Nozzle Bdy | Nut 3/8-16 | P52380 | P52380 | P52380 | P52380 | 12 |
| Pump Mounting | Stud, pump case 1/2-13 | DJ0478 | DJ0478 | DJ0478 | DJ0478 | 8 |
| Pump Mounting | Nut 1/2-13 | F11400 | F11400 | F11400 | F11400 | 8 |
| Pump Discharge | Capscrew 5/16-18 | H27600 | H27600 | H27600 | H27600 | 4 |
| Pump Discharge | Washer 5/16 Bolt | P44580 | P44580 | P44580 | P44580 | 4 |
| Venturi holding | Washer 5/16 Bolt | DJ0277 | DJ0277 | DJ0277 | DJ0277 | 2 |
| Check Vlve seat | Stud 5/16-18 Brass | DV0032 | DV0032 | DV0032 | DV0032 | 6 |
| Check Vlve seat | Nut 5/16-18 Brass | DJ0226 | DJ0226 | DJ0226 | DJ0226 | 6 |
| Spacer Gasket/ Pump mtg | Gasket | DG0070 | DG0070 | DG0070 | DG0070 | 1 |
| Receiver | Blind Flange | DF0210 | DF0210 | DF0210 | DF0210 | 1 |
| Receiver | Nozzle body Blind Flange | DL1466 | DL1466 | DL1466 | DL1466 | 1 |
| Discharge manifold & Cover | Capscrew 5/16-18 | J92291 | J92291 | J92291 | J92291 | 16 |
| Vacuum Switch | Copper Tubing | X42104 | X42104 | X42104 | X42104 | 0.5 |
| for make up | Y Strainer | DA0031 | DA0031 | DA0031 | DA0031 | 1 |
| for make up | Nipple | DL0021 | DL0021 | DL0021 | DL0021 | 1 |
| for make up | Nipple | DL0060 | DL0060 | DL0060 | DL0060 | 1 |
| for make up | Plug | H47900 | H47900 | H47900 | H47900 | 1 |
| for make up | Reducing Tee | J89108 | J89108 | J89108 | J89108 | 1 |
| for make up | Hex Bushing | J89428 | J89428 | J89428 | J89428 | 1 |
| for make up | Solenoid Valve Asm (115 V) | 180092 | 180092 | 180092 | 180092 | 1 |
| If no TLS or Thermometer | Plug | DF0299 | DF0299 | DF0299 | DF0299 | 2 |
| Nozzle Body | Plug | P39040 | P39040 | P39040 | P39040 | 1 |
| | Capscrew 3/8-16 | DJ0063 | DJ0063 | DJ0063 | DJ0063 | 4 |
| | Capscrew 3/4-10 | P19810 | P19810 | P19810 | P19810 | 1 |
| | Washer | DJ0278 | DJ0278 | DJ0278 | DJ0278 | 4 |
| Drain | Plug | U19200 | U19200 | U19200 | U19200 | 1 |
| | Bushing | DF0041 | DF0041 | DF0041 | DF0041 | 1 |
| | Vacuum Switch | DE0987 | DE0987 | DE0987 | DE0989 | 1 |

(1) KLJ units use DL1339 Nozzle & DP0390 impeller @ 3-13/16" diameter

50 D 1.5-35

| ITEM NO. | Part Name | 5" to 10" Hg Vacuum | 15" Hg Vacuum | 20" to 24" Hg Vacuum | 26" to 28" Hg Vacuum | QTY |
|----------------------------|--------------------------------|------------------------|------------------|-------------------------|-------------------------|-----|
| 1 | Separation Chamber | DR0272 | DR0272 | DR0272 | DR0272 | 1 |
| 2 | Gasket | DG0060 | DG0060 | DG0060 | DG0060 | 2 |
| 19a | Water Level Glass Holder | DV0343 | DV0343 | DV0343 | DV0343 | 1 |
| 19c | Guage Glass Only | DV0353 | DV0353 | DV0353 | DV0353 | 1 |
| 19B | Guard Rod | DV0383 | DV0383 | DV0383 | DV0383 | 2 |
| 20 | Air Vent Housing Gasket | DG0001 | DG0001 | DG0001 | DG0001 | 1 |
| 21 | Air Vent Housing | DL0598 | DL0598 | DL0598 | DL0598 | 1 |
| 22 | Nozzle Body Gasket | DG0150 | DG0150 | DG0150 | DG0150 | 2 |
| 23 | Venturi | DL1192 | DL1192 | DL1191 | DL1191 | 2 |
| 24 | Nozzle Body | DL1446 | DL1446 | DL1446 | DL1446 | 2 |
| 25 | Nozzle (1) | DL1337 | DL1337 | DL1335 | DL1335 | 2 |
| 26 | Nozzle Retaining Ring (Pin) | DL1486 | DL1486 | DL1486 | DL1486 | 2 |
| 27 | Dishcharge Manifold Gasket | DG0151 | DG0151 | DG0151 | DG0151 | 2 |
| 28 | Dishcharge Manifold | DL1476 | DL1476 | DL1476 | DL1476 | 2 |
| 29 | Manifold Cover Gasket | DG0127 | DG0127 | DG0127 | DG0127 | 2 |
| 30 | Manifold Cover | DA0150 | DA0150 | DA0150 | DA0150 | 2 |
| 31 | Check Valve Mtg. Flange Gasket | DG0116 | DG0116 | DG0116 | DG0116 | 2 |
| 32 | Check Valve | DV0083 | DV0083 | DV0083 | DV0083 | 2 |
| 33 | Check Valve Mounting Flange | DV0121 | DV0121 | DV0121 | DV0121 | 2 |
| 34 | Manifold Insert | DL1702 | DL1702 | DL1702 | DL1702 | 2 |
| 35 | Manifold Elbow Gasket | DG0142 | DG0142 | DG0142 | DG0142 | 4 |
| 35a | Manifold Elbow Gasket | DG0141 | DG0141 | DG0141 | DG0141 | 2 |
| 36 | Manifold Elbow | DL1724 | DL1724 | DL1724 | DL1724 | 2 |
| 36a | Manifold Elbow | DL1720 | DL1720 | DL1720 | DL1720 | 2 |
| Vac Switch / Pump mtg. | Fitting (Straight) | DF0506 | DF0506 | DF0506 | DF0506 | 6 |
| Vacuum Switch | Fitting (Elbow) | DF0507 | DF0507 | DF0507 | DF0507 | 2 |
| Vacuum Switch | Capscrew 1/4 -20 | DJ0023 | DJ0023 | DJ0023 | DJ0023 | 4 |
| Air Vent Hsg /Nozzle Bdy | Stud bolt 3/8-16 | DJ0471 | DJ0471 | DJ0471 | DJ0471 | 12 |
| Air Vent Hsg /Nozzle Bdy | Nut 3/8-16 | P52380 | P52380 | P52380 | P52380 | 24 |
| Pump Mounting | Stud, pump case 1/2-13 | DJ0478 | DJ0478 | DJ0478 | DJ0478 | 8 |
| Pump Mounting | Nut 1/2-13 | F11400 | F11400 | F11400 | F11400 | 8 |
| Pump Discharge | Capscrew 5/16-18 | H27600 | H27600 | H27600 | H27600 | 8 |
| Pump Discharge | Washer 5/16 Bolt | P44580 | P44580 | P44580 | P44580 | 8 |
| Venturi holding | Washer 5/16 Bolt | DJ0277 | DJ0277 | DJ0277 | DJ0277 | 4 |
| Check Vlave seat | Stud 5/16-18 Brass | DV0032 | DV0032 | DV0032 | DV0032 | 12 |
| Check Vlave seat | Nut 5/16-18 Brass | DJ0226 | DJ0226 | DJ0226 | DJ0226 | 12 |
| Spacer Gasket/ Pump mtg | Gasket | DG0070 | DG0070 | DG0070 | DG0070 | 2 |
| Discharge manifold & Cover | Capscrew 5/16-18 | J92291 | J92291 | J92291 | J92291 | 32 |
| Vac Switch / Pump mtg. | Copper Tubing | X42104 | X42104 | X42104 | X42104 | 2.5 |
| for make up | Y Strainer | DA0031 | DA0031 | DA0031 | DA0031 | 1 |
| for make up | Nipple | DL0021 | DL0021 | DL0021 | DL0021 | 1 |
| for make up | Nipple | DL0060 | DL0060 | DL0060 | DL0060 | 1 |
| for make up | Plug | H47900 | H47900 | H47900 | H47900 | 1 |
| for make up | Reducing Tee | J89108 | J89108 | J89108 | J89108 | 1 |
| for make up | Hex Bushing | J89428 | J89428 | J89428 | J89428 | 1 |
| for make up | Solenoid Valve Asm (115 V) | 180092 | 180092 | 180092 | 180092 | 1 |
| If no TLS or Thermometer | Plug | DF0299 | DF0299 | DF0299 | DF0299 | 2 |
| Nozzle Body | Plug | P39040 | P39040 | P39040 | P39040 | 2 |
| | Capscrew 3/8-16 | DJ0063 | DJ0063 | DJ0063 | DJ0063 | 4 |
| | Capscrew 3/4-10 | P19810 | P19810 | P19810 | P19810 | 2 |
| | Washer | DJ0278 | DJ0278 | DJ0278 | DJ0278 | 8 |
| Drain | Plug | U19200 | U19200 | U19200 | U19200 | 1 |
| | Bushing | DF0041 | DF0041 | DF0041 | DF0041 | 2 |
| Receiver | Lifting Eyes | DJ0322 | DJ0322 | DJ0322 | DJ0322 | 2 |
| | Vacuum Switch | DE0987 | DE0987 | DE0987 | DE0987 | 2 |

(1) KLJ units use DL1339 Nozzle & DP0390 impeller @ 3-13/16" diameter

50 S 2-35

| ITEM NO. | Part Name | 5" to 10" Hg Vacuum | 15" Hg Vacuum | 20" to 24" Hg Vacuum | 26" to 28" Hg Vacuum | QTY |
|----------------------------|--------------------------------|---------------------|---------------|----------------------|----------------------|-----|
| 1 | Separation Chamber | DR0272 | DR0272 | DR0272 | DR0272 | 1 |
| 2 | Gasket | DG0060 | DG0060 | DG0060 | DG0060 | 2 |
| 19a | Water Level Glass Holder | DV0343 | DV0343 | DV0343 | DV0343 | 1 |
| 19c | Guage Glass Only | DV0353 | DV0353 | DV0353 | DV0353 | 1 |
| 19B | Guard Rod | DV0383 | DV0383 | DV0383 | DV0383 | 2 |
| 20 | Air Vent Housing Gasket | DG0001 | DG0001 | DG0001 | DG0001 | 1 |
| 21 | Air Vent Housing | DL0598 | DL0598 | DL0598 | DL0598 | 1 |
| 22 | Nozzle Body Gasket | DG0150 | DG0150 | DG0150 | DG0150 | 2 |
| 23 | Venturi | DL1174 | DL1174 | DL1175 | DL1175 | 1 |
| 24 | Nozzle Body | DL1446 | DL1446 | DL1446 | DL1446 | 1 |
| 25 | Nozzle (1) | DL1318 | DL1318 | DL1325 | DL1325 | 1 |
| 26 | Nozzle Retaining Ring (Pin) | DL1486 | DL1486 | DL1486 | DL1486 | 1 |
| 27 | Dishcharge Manifold Gasket | DG0151 | DG0151 | DG0151 | DG0151 | 1 |
| 28 | Dishcharge Manifold | DL1476 | DL1476 | DL1476 | DL1476 | 1 |
| 29 | Manifold Cover Gasket | DG0127 | DG0127 | DG0127 | DG0127 | 1 |
| 30 | Manifold Cover | DA0150 | DA0150 | DA0150 | DA0150 | 1 |
| 31 | Check Valve Mtg. Flange Gasket | DG0116 | DG0116 | DG0116 | DG0116 | 1 |
| 32 | Check Valve | DV0083 | DV0083 | DV0083 | DV0083 | 1 |
| 33 | Check Valve Mounting Flange | DV0121 | DV0121 | DV0121 | DV0121 | 1 |
| 34 | Manifold Insert | DL1702 | DL1702 | DL1702 | DL1702 | 1 |
| 35 | Manifold Elbow Gasket | DG0142 | DG0142 | DG0142 | DG0142 | 2 |
| 35a | Manifold Elbow Gasket | DG0141 | DG0141 | DG0141 | DG0141 | 1 |
| 36 | Manifold Elbow | DL1724 | DL1724 | DL1724 | DL1724 | 1 |
| 36a | Manifold Elbow | DL1720 | DL1720 | DL1720 | DL1720 | 1 |
| Pump air relief | Plug 1/8" | DF0292 | DF0292 | DF0292 | DF0292 | 1 |
| Vacuum Switch | Fitting (Straight) | DF0506 | DF0506 | DF0506 | DF0506 | 2 |
| Vacuum Switch | Capscrew 1/4 -20 | DJ0023 | DJ0023 | DJ0023 | DJ0023 | 2 |
| Air Vent Hsg /Nozzle Bdy | Stud bolt 3/8-16 | DJ0471 | DJ0471 | DJ0471 | DJ0471 | 12 |
| Air Vent Hsg /Nozzle Bdy | Nut 3/8-16 | P52380 | P52380 | P52380 | P52380 | 12 |
| Pump Mounting | Stud, pump case 1/2-13 | DJ0478 | DJ0478 | DJ0478 | DJ0478 | 8 |
| Pump Mounting | Nut 1/2-13 | F11400 | F11400 | F11400 | F11400 | 8 |
| Pump Discharge | Capscrew 5/16-18 | H27600 | H27600 | H27600 | H27600 | 4 |
| Pump Discharge | Washer 5/16 Bolt | P44580 | P44580 | P44580 | P44580 | 4 |
| Venturi holding | Washer 5/16 Bolt | DJ0277 | DJ0277 | DJ0277 | DJ0277 | 2 |
| Check Vlve seat | Stud 5/16-18 Brass | DV0032 | DV0032 | DV0032 | DV0032 | 6 |
| Check Vlve seat | Nut 5/16-18 Brass | DJ0226 | DJ0226 | DJ0226 | DJ0226 | 6 |
| Spacer Gasket/ Pump mtg | Gasket | DG0070 | DG0070 | DG0070 | DG0070 | 1 |
| Receiver | Blind Flange | DF0210 | DF0210 | DF0210 | DF0210 | 1 |
| Receiver | Nozzle body Blind Flange | DL1466 | DL1466 | DL1466 | DL1466 | 1 |
| Discharge manifold & Cover | Capscrew 5/16-18 | J92291 | J92291 | J92291 | J92291 | 16 |
| Vacuum Switch | Copper Tubing | X42104 | X42104 | X42104 | X42104 | 0.5 |
| for make up | Y Strainer | DA0031 | DA0031 | DA0031 | DA0031 | 1 |
| for make up | Nipple | DL0021 | DL0021 | DL0021 | DL0021 | 1 |
| for make up | Nipple | DL0060 | DL0060 | DL0060 | DL0060 | 1 |
| for make up | Plug | H47900 | H47900 | H47900 | H47900 | 1 |
| for make up | Reducing Tee | J89108 | J89108 | J89108 | J89108 | 1 |
| for make up | Hex Bushing | J89428 | J89428 | J89428 | J89428 | 1 |
| for make up | Solenoid Valve Asm (115 V) | 180092 | 180092 | 180092 | 180092 | 1 |
| If no TLS or Thermometer | Plug | DF0299 | DF0299 | DF0299 | DF0299 | 2 |
| Nozzle Body | Plug | P39040 | P39040 | P39040 | P39040 | 1 |
| | Capscrew 3/8-16 | DJ0063 | DJ0063 | DJ0063 | DJ0063 | 4 |
| | Capscrew 3/4-10 | P19810 | P19810 | P19810 | P19810 | 1 |
| | Washer | DJ0278 | DJ0278 | DJ0278 | DJ0278 | 4 |
| Drain | Plug | U19200 | U19200 | U19200 | U19200 | 1 |
| | Bushing | DF0041 | DF0041 | DF0041 | DF0041 | 1 |
| | Vacuum Switch | DE0987 | DE0987 | DE0987 | DE0989 | 1 |

(1) KLJ units use DL1339 Nozzle & DP0390 impeller @ 4-3/16" diameter

50 D 2-35

| ITEM NO. | Part Name | 5" to 10" Hg Vacuum | 15" Hg Vacuum | 20" to 24" Hg Vacuum | 26" to 28" Hg Vacuum | QTY |
|----------------------------|--------------------------------|------------------------|------------------|-------------------------|-------------------------|-----|
| 1 | Separation Chamber | DR0272 | DR0272 | DR0272 | DR0272 | 1 |
| 2 | Gasket | DG0060 | DG0060 | DG0060 | DG0060 | 2 |
| 19a | Water Level Glass Holder | DV0343 | DV0343 | DV0343 | DV0343 | 1 |
| 19c | Guage Glass Only | DV0353 | DV0353 | DV0353 | DV0353 | 1 |
| 19B | Guard Rod | DV0383 | DV0383 | DV0383 | DV0383 | 2 |
| 20 | Air Vent Housing Gasket | DG0001 | DG0001 | DG0001 | DG0001 | 1 |
| 21 | Air Vent Housing | DL0598 | DL0598 | DL0598 | DL0598 | 1 |
| 22 | Nozzle Body Gasket | DG0150 | DG0150 | DG0150 | DG0150 | 2 |
| 23 | Venturi | DL1174 | DL1174 | DL1175 | DL1175 | 2 |
| 24 | Nozzle Body | DL1446 | DL1446 | DL1446 | DL1446 | 2 |
| 25 | Nozzle (1) | DL1318 | DL1318 | DL1325 | DL1325 | 2 |
| 26 | Nozzle Retaining Ring (Pin) | DL1486 | DL1486 | DL1486 | DL1486 | 2 |
| 27 | Dishcharge Manifold Gasket | DG0151 | DG0151 | DG0151 | DG0151 | 2 |
| 28 | Dishcharge Manifold | DL1476 | DL1476 | DL1476 | DL1476 | 2 |
| 29 | Manifold Cover Gasket | DG0127 | DG0127 | DG0127 | DG0127 | 2 |
| 30 | Manifold Cover | DA0150 | DA0150 | DA0150 | DA0150 | 2 |
| 31 | Check Valve Mtg. Flange Gasket | DG0116 | DG0116 | DG0116 | DG0116 | 2 |
| 32 | Check Valve | DV0083 | DV0083 | DV0083 | DV0083 | 2 |
| 33 | Check Valve Mounting Flange | DV0121 | DV0121 | DV0121 | DV0121 | 2 |
| 34 | Manifold Insert | DL1702 | DL1702 | DL1702 | DL1702 | 2 |
| 35 | Manifold Elbow Gasket | DG0142 | DG0142 | DG0142 | DG0142 | 4 |
| 35a | Manifold Elbow Gasket | DG0141 | DG0141 | DG0141 | DG0141 | 2 |
| 36 | Manifold Elbow | DL1724 | DL1724 | DL1724 | DL1724 | 2 |
| 36a | Manifold Elbow | DL1720 | DL1720 | DL1720 | DL1720 | 2 |
| Vac Switch / Pump mtg. | Fitting (Straight) | DF0506 | DF0506 | DF0506 | DF0506 | 6 |
| Vacuum Switch | Fitting (Elbow) | DF0507 | DF0507 | DF0507 | DF0507 | 2 |
| Vacuum Switch | Capscrew 1/4 -20 | DJ0023 | DJ0023 | DJ0023 | DJ0023 | 4 |
| Air Vent Hsg /Nozzle Bdy | Stud bolt 3/8-16 | DJ0471 | DJ0471 | DJ0471 | DJ0471 | 12 |
| Air Vent Hsg /Nozzle Bdy | Nut 3/8-16 | P52380 | P52380 | P52380 | P52380 | 24 |
| Pump Mounting | Stud, pump case 1/2-13 | DJ0478 | DJ0478 | DJ0478 | DJ0478 | 8 |
| Pump Mounting | Nut 1/2-13 | F11400 | F11400 | F11400 | F11400 | 8 |
| Pump Discharge | Capscrew 5/16-18 | H27600 | H27600 | H27600 | H27600 | 8 |
| Pump Discharge | Washer 5/16 Bolt | P44580 | P44580 | P44580 | P44580 | 8 |
| Venturi holding | Washer 5/16 Bolt | DJ0277 | DJ0277 | DJ0277 | DJ0277 | 4 |
| Check Vlave seat | Stud 5/16-18 Brass | DV0032 | DV0032 | DV0032 | DV0032 | 12 |
| Check Vlave seat | Nut 5/16-18 Brass | DJ0226 | DJ0226 | DJ0226 | DJ0226 | 12 |
| Spacer Gasket/ Pump mtg | Gasket | DG0070 | DG0070 | DG0070 | DG0070 | 2 |
| Discharge manifold & Cover | Capscrew 5/16-18 | J92291 | J92291 | J92291 | J92291 | 32 |
| Vac Switch / Pump mtg. | Copper Tubing | X42104 | X42104 | X42104 | X42104 | 2.5 |
| for make up | Y Strainer | DA0031 | DA0031 | DA0031 | DA0031 | 1 |
| for make up | Nipple | DL0021 | DL0021 | DL0021 | DL0021 | 1 |
| for make up | Nipple | DL0060 | DL0060 | DL0060 | DL0060 | 1 |
| for make up | Plug | H47900 | H47900 | H47900 | H47900 | 1 |
| for make up | Reducing Tee | J89108 | J89108 | J89108 | J89108 | 1 |
| for make up | Hex Bushing | J89428 | J89428 | J89428 | J89428 | 1 |
| for make up | Solenoid Valve Asm (115 V) | 180092 | 180092 | 180092 | 180092 | 1 |
| If no TLS or Thermometer | Plug | DF0299 | DF0299 | DF0299 | DF0299 | 2 |
| Nozzle Body | Plug | P39040 | P39040 | P39040 | P39040 | 2 |
| | Capscrew 3/8-16 | DJ0063 | DJ0063 | DJ0063 | DJ0063 | 4 |
| | Capscrew 3/4-10 | P19810 | P19810 | P19810 | P19810 | 2 |
| | Washer | DJ0278 | DJ0278 | DJ0278 | DJ0278 | 8 |
| Drain | Plug | U19200 | U19200 | U19200 | U19200 | 1 |
| | Bushing | DF0041 | DF0041 | DF0041 | DF0041 | 2 |
| Receiver | Lifting Eyes | DJ0322 | DJ0322 | DJ0322 | DJ0322 | 2 |
| | Vacuum Switch | DE0987 | DE0987 | DE0987 | DE0987 | 2 |

(1) KLJ units use DL1339 Nozzle & DP0390 impeller @ 4-3/16" diameter

| ITEM NO. | Part Name | 5" to 10" Hg Vacuum | 15" Hg Vacuum | 20" to 24" Hg Vacuum | 26" to 28" Hg Vacuum | QTY |
|----------------------------|--------------------------------|---------------------|---------------|----------------------|----------------------|-----|
| 1 | Separation Chamber | DR0272 | DR0272 | DR0272 | DR0272 | 1 |
| 2 | Gasket | DG0060 | DG0060 | DG0060 | DG0060 | 2 |
| 19a | Water Level Glass Holder | DV0343 | DV0343 | DV0343 | DV0343 | 1 |
| 19c | Guage Glass Only | DV0353 | DV0353 | DV0353 | DV0353 | 1 |
| 19B | Guard Rod | DV0383 | DV0383 | DV0383 | DV0383 | 2 |
| 20 | Air Vent Housing Gasket | DG0001 | DG0001 | DG0001 | DG0001 | 1 |
| 21 | Air Vent Housing | DL0598 | DL0598 | DL0598 | DL0598 | 1 |
| 22 | Nozzle Body Gasket | DG0150 | DG0150 | DG0150 | DG0150 | 2 |
| 23 | Venturi (1) | DL1183 | DL1183 | DL1171 | DL1171 | 1 |
| 24 | Nozzle Body | DL1446 | DL1446 | DL1446 | DL1446 | 1 |
| 25 | Nozzle (1) | DL1328 | DL1328 | DL1318 | DL1318 | 1 |
| 26 | Nozzle Retaining Ring (Pin) | DL1486 | DL1486 | DL1486 | DL1486 | 1 |
| 27 | Dishcharge Manifold Gasket | DG0151 | DG0151 | DG0151 | DG0151 | 1 |
| 28 | Dishcharge Manifold | DL1476 | DL1476 | DL1476 | DL1476 | 1 |
| 29 | Manifold Cover Gasket | DG0127 | DG0127 | DG0127 | DG0127 | 1 |
| 30 | Manifold Cover | DA0150 | DA0150 | DA0150 | DA0150 | 1 |
| 31 | Check Valve Mtg. Flange Gasket | DG0116 | DG0116 | DG0116 | DG0116 | 1 |
| 32 | Check Valve | DV0083 | DV0083 | DV0083 | DV0083 | 1 |
| 33 | Check Valve Mounting Flange | DV0121 | DV0121 | DV0121 | DV0121 | 1 |
| 34 | Manifold Insert | DL1702 | DL1702 | DL1702 | DL1702 | 1 |
| 35 | Manifold Elbow Gasket | DG0142 | DG0142 | DG0142 | DG0142 | 2 |
| 35a | Manifold Elbow Gasket | DG0141 | DG0141 | DG0141 | DG0141 | 1 |
| 36 | Manifold Elbow | DL1724 | DL1724 | DL1724 | DL1724 | 1 |
| 36a | Manifold Elbow | DL1720 | DL1720 | DL1720 | DL1720 | 1 |
| Pump air relief | Plug 1/8" | DF0292 | DF0292 | DF0292 | DF0292 | 1 |
| Vacuum Switch | Fitting (Straight) | DF0506 | DF0506 | DF0506 | DF0506 | 2 |
| Vacuum Switch | Capscrew 1/4 -20 | DJ0023 | DJ0023 | DJ0023 | DJ0023 | 2 |
| Air Vent Hsg /Nozzle Bdy | Stud bolt 3/8-16 | DJ0471 | DJ0471 | DJ0471 | DJ0471 | 12 |
| Air Vent Hsg /Nozzle Bdy | Nut 3/8-16 | P52380 | P52380 | P52380 | P52380 | 12 |
| Pump Mounting | Stud, pump case 1/2-13 | DJ0478 | DJ0478 | DJ0478 | DJ0478 | 8 |
| Pump Mounting | Nut 1/2-13 | F11400 | F11400 | F11400 | F11400 | 8 |
| Pump Discharge | Capscrew 5/16-18 | H27600 | H27600 | H27600 | H27600 | 4 |
| Pump Discharge | Washer 5/16 Bolt | P44580 | P44580 | P44580 | P44580 | 4 |
| Venturi holding | Washer 5/16 Bolt | DJ0277 | DJ0277 | DJ0277 | DJ0277 | 2 |
| Check Vlave seat | Stud 5/16-18 Brass | DV0032 | DV0032 | DV0032 | DV0032 | 6 |
| Check Vlave seat | Nut 5/16-18 Brass | DJ0226 | DJ0226 | DJ0226 | DJ0226 | 6 |
| Spacer Gasket/ Pump mtg | Gasket | DG0070 | DG0070 | DG0070 | DG0070 | 1 |
| Receiver | Blind Flange | DF0210 | DF0210 | DF0210 | DF0210 | 1 |
| Receiver | Nozzle body Blind Flange | DL1466 | DL1466 | DL1466 | DL1466 | 1 |
| Discharge manifold & Cover | Capscrew 5/16-18 | J92291 | J92291 | J92291 | J92291 | 16 |
| Vacuum Switch | Copper Tubing | X42104 | X42104 | X42104 | X42104 | 0.5 |
| for make up | Y Strainer | DA0031 | DA0031 | DA0031 | DA0031 | 1 |
| for make up | Nipple | DL0021 | DL0021 | DL0021 | DL0021 | 1 |
| for make up | Nipple | DL0060 | DL0060 | DL0060 | DL0060 | 1 |
| for make up | Plug | H47900 | H47900 | H47900 | H47900 | 1 |
| for make up | Reducing Tee | J89108 | J89108 | J89108 | J89108 | 1 |
| for make up | Hex Bushing | J89428 | J89428 | J89428 | J89428 | 1 |
| for make up | Solenoid Valve Asm (115 V) | 180092 | 180092 | 180092 | 180092 | 1 |
| If no TLS or Thermometer | Plug | DF0299 | DF0299 | DF0299 | DF0299 | 2 |
| Nozzle Body | Plug | P39040 | P39040 | P39040 | P39040 | 1 |
| | Capscrew 3/8-16 | DJ0063 | DJ0063 | DJ0063 | DJ0063 | 4 |
| | Capscrew 3/4-10 | P19810 | P19810 | P19810 | P19810 | 1 |
| | Washer | DJ0278 | DJ0278 | DJ0278 | DJ0278 | 4 |
| Drain | Plug | U19200 | U19200 | U19200 | U19200 | 1 |
| | Bushing | DF0041 | DF0041 | DF0041 | DF0041 | 1 |
| | Vacuum Switch | DE0987 | DE0987 | DE0987 | DE0989 | 1 |

(1) KLJ Units use DL1192 Venturi, DL1340 Nozzle & DP0382 Impeller @ 4-1/16" diameter.

| ITEM NO. | Part Name | 5" to 10" Hg Vacuum | 15" Hg Vacuum | 20" to 24" Hg Vacuum | 26" to 28" Hg Vacuum | QTY |
|----------------------------|--------------------------------|------------------------|------------------|-------------------------|-------------------------|-----|
| 1 | Separation Chamber | DR0272 | DR0272 | DR0272 | DR0272 | 1 |
| 2 | Gasket | DG0060 | DG0060 | DG0060 | DG0060 | 2 |
| 19a | Water Level Glass Holder | DV0343 | DV0343 | DV0343 | DV0343 | 1 |
| 19c | Guage Glass Only | DV0353 | DV0353 | DV0353 | DV0353 | 1 |
| 19B | Guard Rod | DV0383 | DV0383 | DV0383 | DV0383 | 2 |
| 20 | Air Vent Housing Gasket | DG0001 | DG0001 | DG0001 | DG0001 | 1 |
| 21 | Air Vent Housing | DL0598 | DL0598 | DL0598 | DL0598 | 1 |
| 22 | Nozzle Body Gasket | DG0150 | DG0150 | DG0150 | DG0150 | 2 |
| 23 | Venturi (1) | DL1183 | DL1183 | DL1171 | DL1171 | 2 |
| 24 | Nozzle Body | DL1446 | DL1446 | DL1446 | DL1446 | 2 |
| 25 | Nozzle (1) | DL1328 | DL1328 | DL1318 | DL1318 | 2 |
| 26 | Nozzle Retaining Ring (Pin) | DL1486 | DL1486 | DL1486 | DL1486 | 2 |
| 27 | Dishcharge Manifold Gasket | DG0151 | DG0151 | DG0151 | DG0151 | 2 |
| 28 | Dishcharge Manifold | DL1476 | DL1476 | DL1476 | DL1476 | 2 |
| 29 | Manifold Cover Gasket | DG0127 | DG0127 | DG0127 | DG0127 | 2 |
| 30 | Manifold Cover | DA0150 | DA0150 | DA0150 | DA0150 | 2 |
| 31 | Check Valve Mtg. Flange Gasket | DG0116 | DG0116 | DG0116 | DG0116 | 2 |
| 32 | Check Valve | DV0083 | DV0083 | DV0083 | DV0083 | 2 |
| 33 | Check Valve Mounting Flange | DV0121 | DV0121 | DV0121 | DV0121 | 2 |
| 34 | Manifold Insert | DL1702 | DL1702 | DL1702 | DL1702 | 2 |
| 35 | Manifold Elbow Gasket | DG0142 | DG0142 | DG0142 | DG0142 | 4 |
| 35a | Manifold Elbow Gasket | DG0141 | DG0141 | DG0141 | DG0141 | 2 |
| 36 | Manifold Elbow | DL1724 | DL1724 | DL1724 | DL1724 | 2 |
| 36a | Manifold Elbow | DL1720 | DL1720 | DL1720 | DL1720 | 2 |
| Vac Switch / Pump mtg. | Fitting (Straight) | DF0506 | DF0506 | DF0506 | DF0506 | 6 |
| Vacuum Switch | Fitting (Elbow) | DF0507 | DF0507 | DF0507 | DF0507 | 2 |
| Vacuum Switch | Capscrew 1/4 -20 | DJ0023 | DJ0023 | DJ0023 | DJ0023 | 4 |
| Air Vent Hsg /Nozzle Bdy | Stud bolt 3/8-16 | DJ0471 | DJ0471 | DJ0471 | DJ0471 | 12 |
| Air Vent Hsg /Nozzle Bdy | Nut 3/8-16 | P52380 | P52380 | P52380 | P52380 | 24 |
| Pump Mounting | Stud, pump case 1/2-13 | DJ0478 | DJ0478 | DJ0478 | DJ0478 | 8 |
| Pump Mounting | Nut 1/2-13 | F11400 | F11400 | F11400 | F11400 | 8 |
| Pump Discharge | Capscrew 5/16-18 | H27600 | H27600 | H27600 | H27600 | 8 |
| Pump Discharge | Washer 5/16 Bolt | P44580 | P44580 | P44580 | P44580 | 8 |
| Venturi holding | Washer 5/16 Bolt | DJ0277 | DJ0277 | DJ0277 | DJ0277 | 4 |
| Check Vlve seat | Stud 5/16-18 Brass | DV0032 | DV0032 | DV0032 | DV0032 | 12 |
| Check Vlve seat | Nut 5/16-18 Brass | DJ0226 | DJ0226 | DJ0226 | DJ0226 | 12 |
| Spacer Gasket/ Pump mtg | Gasket | DG0070 | DG0070 | DG0070 | DG0070 | 2 |
| Discharge manifold & Cover | Capscrew 5/16-18 | J92291 | J92291 | J92291 | J92291 | 32 |
| Vac Switch / Pump mtg. | Copper Tubing | X42104 | X42104 | X42104 | X42104 | 2.5 |
| for make up | Y Strainer | DA0031 | DA0031 | DA0031 | DA0031 | 1 |
| for make up | Nipple | DL0021 | DL0021 | DL0021 | DL0021 | 1 |
| for make up | Nipple | DL0060 | DL0060 | DL0060 | DL0060 | 1 |
| for make up | Plug | H47900 | H47900 | H47900 | H47900 | 1 |
| for make up | Reducing Tee | J89108 | J89108 | J89108 | J89108 | 1 |
| for make up | Hex Bushing | J89428 | J89428 | J89428 | J89428 | 1 |
| for make up | Solenoid Valve Asm (115 V) | 180092 | 180092 | 180092 | 180092 | 1 |
| If no TLS or Thermometer | Plug | DF0299 | DF0299 | DF0299 | DF0299 | 2 |
| Nozzle Body | Plug | P39040 | P39040 | P39040 | P39040 | 2 |
| | Capscrew 3/8-16 | DJ0063 | DJ0063 | DJ0063 | DJ0063 | 4 |
| | Capscrew 3/4-10 | P19810 | P19810 | P19810 | P19810 | 2 |
| | Washer | DJ0278 | DJ0278 | DJ0278 | DJ0278 | 8 |
| Drain | Plug | U19200 | U19200 | U19200 | U19200 | 1 |
| | Bushing | DF0041 | DF0041 | DF0041 | DF0041 | 2 |
| Receiver | Lifting Eyes | DJ0322 | DJ0322 | DJ0322 | DJ0322 | 2 |
| | Vacuum Switch | DE0987 | DE0987 | DE0987 | DE0989 | 2 |

(1) KLJ Units use DL1192 Venturi, DL1340 Nozzle & DP0382 Impeller @ 4-1/16" diameter.

| ITEM NO. | Part Name | 5" to 10" Hg Vacuum | 15" Hg Vacuum | 20" to 24" Hg Vacuum | 26" to 28" Hg Vacuum | QTY |
|----------------------------|--------------------------------|------------------------|------------------|-------------------------|-------------------------|------|
| 1 | Separation Chamber | DR0272 | DR0272 | DR0272 | DR0272 | 1 |
| 2 | Gasket | DG0060 | DG0060 | DG0060 | DG0060 | 2 |
| 19a | Water Level Glass Holder | DV0343 | DV0343 | DV0343 | DV0343 | 1 |
| 19c | Guage Glass Only | DV0353 | DV0353 | DV0353 | DV0353 | 1 |
| 19B | Guard Rod | DV0383 | DV0383 | DV0383 | DV0383 | 2 |
| 20 | Air Vent Housing Gasket | DG0001 | DG0001 | DG0001 | DG0001 | 1 |
| 21 | Air Vent Housing | DL0598 | DL0598 | DL0598 | DL0598 | 1 |
| 22 | Nozzle Body Gasket | DG0150 | DG0150 | DG0150 | DG0150 | 2 |
| 23 | Venturi (1) | DL1182 | DL1182 | DL1181 | DL1181 | 1 |
| 24 | Nozzle Body | DL1446 | DL1446 | DL1446 | DL1446 | 1 |
| 25 | Nozzle (1) | DL1330 | DL1330 | DL1329 | DL1329 | 1 |
| 26 | Nozzle Retaining Ring (Pin) | DL1486 | DL1486 | DL1486 | DL1486 | 1 |
| 27 | Dishcharge Manifold Gasket | DG0151 | DG0151 | DG0151 | DG0151 | 1 |
| 28 | Dishcharge Manifold | DL1476 | DL1476 | DL1476 | DL1476 | 1 |
| 29 | Manifold Cover Gasket | DG0127 | DG0127 | DG0127 | DG0127 | 1 |
| 30 | Manifold Cover | DA0150 | DA0150 | DA0150 | DA0150 | 1 |
| 31 | Check Valve Mtg. Flange Gasket | DG0116 | DG0116 | DG0116 | DG0116 | 1 |
| 32 | Check Valve | DV0083 | DV0083 | DV0083 | DV0083 | 1 |
| 33 | Check Valve Mounting Flange | DV0121 | DV0121 | DV0121 | DV0121 | 1 |
| 34 | Manifold Insert | DL1702 | DL1702 | DL1702 | DL1702 | 1 |
| 35 | Manifold Elbow Gasket | DG0142 | DG0142 | DG0142 | DG0142 | 2 |
| 36 | Manifold Elbow | DL1722 | DL1722 | DL1722 | DL1722 | 1 |
| Pump air relief | Plug 1/8" | DF0292 | DF0292 | DF0292 | DF0292 | 1 |
| Vacuum Switch | Fitting (Straight) | DF0506 | DF0506 | DF0506 | DF0506 | 1 |
| Vacuum Switch | Fitting (angle) | DF0507 | DF0507 | DF0507 | DF0507 | 1 |
| Vacuum Switch | Capscrew 1/4 -20 | DJ0023 | DJ0023 | DJ0023 | DJ0023 | 2 |
| Air Vent Hsg /Nozzle Bdy | Stud bolt 3/8-16 | DJ0471 | DJ0471 | DJ0471 | DJ0471 | 12 |
| Air Vent Hsg /Nozzle Bdy | Nut 3/8-16 | P52380 | P52380 | P52380 | P52380 | 12 |
| Pump Mounting | Stud, pump case 1/2-13 | DJ0478 | DJ0478 | DJ0478 | DJ0478 | 8 |
| Pump Mounting | Nut 1/2-13 | F11400 | F11400 | F11400 | F11400 | 8 |
| Check Vlave seat | Stud 5/16-18 Brass | DV0032 | DV0032 | DV0032 | DV0032 | 6 |
| Check Vlave seat | Nut 5/16-18 Brass | DJ0226 | DJ0226 | DJ0226 | DJ0226 | 6 |
| Receiver | Blind Flange | DF0210 | DF0210 | DF0210 | DF0210 | 1 |
| Receiver | Nozzle body Blind Flange | DL1466 | DL1466 | DL1466 | DL1466 | 1 |
| Discharge manifold & Cover | Capscrew 5/16-18 | J92291 | J92291 | J92291 | J92291 | 16 |
| Vacuum Switch | Copper Tubing | X42104 | X42104 | X42104 | X42104 | 1.25 |
| for make up | Y Strainer | DA0031 | DA0031 | DA0031 | DA0031 | 1 |
| for make up | Nipple | DL0021 | DL0021 | DL0021 | DL0021 | 1 |
| for make up | Nipple | DL0060 | DL0060 | DL0060 | DL0060 | 1 |
| for make up | Plug | H47900 | H47900 | H47900 | H47900 | 1 |
| for make up | Reducing Tee | J89108 | J89108 | J89108 | J89108 | 1 |
| for make up | Hex Bushing | J89428 | J89428 | J89428 | J89428 | 1 |
| for make up | Solenoid Valve Asm (115 V) | 180092 | 180092 | 180092 | 180092 | 1 |
| If no TLS or Thermometer | Plug | DF0299 | DF0299 | DF0299 | DF0299 | 2 |
| Nozzle Body | Plug | P39040 | P39040 | P39040 | P39040 | 1 |
| Drain | Plug | U19200 | U19200 | U19200 | U19200 | 1 |
| | Vacuum Switch | DE0987 | DE0987 | DE0987 | DE0987 | 1 |

(1) KLJ Units use DL1192 Venturi and DL1336 Nozzle

| ITEM NO. | Part Name | 5" to 10" Hg Vacuum | 15" Hg Vacuum | 20" to 24" Hg Vacuum | 26" to 28" Hg Vacuum | QTY |
|----------------------------|--------------------------------|---------------------|---------------|----------------------|----------------------|-----|
| 1 | Separation Chamber | DR0272 | DR0272 | DR0272 | DR0272 | 1 |
| 2 | Gasket | DG0060 | DG0060 | DG0060 | DG0060 | 2 |
| 19a | Water Level Glass Holder | DV0343 | DV0343 | DV0343 | DV0343 | 1 |
| 19c | Gauge Glass Only | DV0353 | DV0353 | DV0353 | DV0353 | 1 |
| 19B | Guard Rod | DV0383 | DV0383 | DV0383 | DV0383 | 2 |
| 20 | Air Vent Housing Gasket | DG0001 | DG0001 | DG0001 | DG0001 | 1 |
| 21 | Air Vent Housing | DL0598 | DL0598 | DL0598 | DL0598 | 1 |
| 22 | Nozzle Body Gasket | DG0150 | DG0150 | DG0150 | DG0150 | 2 |
| 23 | Venturi (1) | DL1182 | DL1182 | DL1181 | DL1181 | 2 |
| 24 | Nozzle Body | DL1446 | DL1446 | DL1446 | DL1446 | 2 |
| 25 | Nozzle (1) | DL1330 | DL1330 | DL1329 | DL1329 | 2 |
| 26 | Nozzle Retaining Ring (Pin) | DL1486 | DL1486 | DL1486 | DL1486 | 2 |
| 27 | Dishcharge Manifold Gasket | DG0151 | DG0151 | DG0151 | DG0151 | 2 |
| 28 | Dishcharge Manifold | DL1476 | DL1476 | DL1476 | DL1476 | 2 |
| 29 | Manifold Cover Gasket | DG0127 | DG0127 | DG0127 | DG0127 | 2 |
| 30 | Manifold Cover | DA0150 | DA0150 | DA0150 | DA0150 | 2 |
| 31 | Check Valve Mtg. Flange Gasket | DG0116 | DG0116 | DG0116 | DG0116 | 2 |
| 32 | Check Valve | DV0083 | DV0083 | DV0083 | DV0083 | 2 |
| 33 | Check Valve Mounting Flange | DV0121 | DV0121 | DV0121 | DV0121 | 2 |
| 34 | Manifold Insert | DL1702 | DL1702 | DL1702 | DL1702 | 2 |
| 35 | Manifold Elbow Gasket | DG0142 | DG0142 | DG0142 | DG0142 | 4 |
| 36 | Manifold Elbow | DL1722 | DL1722 | DL1722 | DL1722 | 2 |
| Vac Switch / Pump mtg. | Fitting (Straight) | DF0506 | DF0506 | DF0506 | DF0506 | 6 |
| Vacuum Switch | Fitting (Elbow) | DF0507 | DF0507 | DF0507 | DF0507 | 2 |
| Vacuum Switch | Capscrew 1/4 -20 | DJ0023 | DJ0023 | DJ0023 | DJ0023 | 4 |
| Air Vent Hsg /Nozzle Bdy | Stud bolt 3/8-16 | DJ0471 | DJ0471 | DJ0471 | DJ0471 | 12 |
| Air Vent Hsg /Nozzle Bdy | Nut 3/8-16 | P52380 | P52380 | P52380 | P52380 | 24 |
| Pump Mounting | Stud, pump case 1/2-13 | DJ0478 | DJ0478 | DJ0478 | DJ0478 | 8 |
| Pump Mounting | Nut 1/2-13 | F11400 | F11400 | F11400 | F11400 | 8 |
| Check Valve seat | Stud 5/16-18 Brass | DV0032 | DV0032 | DV0032 | DV0032 | 12 |
| Check Valve seat | Nut 5/16-18 Brass | DJ0226 | DJ0226 | DJ0226 | DJ0226 | 12 |
| Discharge manifold & Cover | Capscrew 5/16-18 | J92291 | J92291 | J92291 | J92291 | 32 |
| Vac Switch / Pump mtg. | Copper Tubing | X42104 | X42104 | X42104 | X42104 | 2.5 |
| for make up | Y Strainer | DA0031 | DA0031 | DA0031 | DA0031 | 1 |
| for make up | Nipple | DL0021 | DL0021 | DL0021 | DL0021 | 1 |
| for make up | Nipple | DL0060 | DL0060 | DL0060 | DL0060 | 1 |
| for make up | Plug | H47900 | H47900 | H47900 | H47900 | 1 |
| for make up | Reducing Tee | J89108 | J89108 | J89108 | J89108 | 1 |
| for make up | Hex Bushing | J89428 | J89428 | J89428 | J89428 | 1 |
| for make up | Solenoid Valve Asm (115 V) | 180092 | 180092 | 180092 | 180092 | 1 |
| If no TLS or Thermometer | Plug | DF0299 | DF0299 | DF0299 | DF0299 | 2 |
| Nozzle Body | Plug | P39040 | P39040 | P39040 | P39040 | 2 |
| Drain | Plug | U19200 | U19200 | U19200 | U19200 | 1 |
| Receiver | Lifting Eyes | DJ0322 | DJ0322 | DJ0322 | DJ0322 | 2 |
| | Vacuum Switch | DE0987 | DE0987 | DE0987 | DE0989 | 2 |

(1) KLJ Units use DL1192 Venturi and DL1336 Nozzle

| ITEM NO. | Part Name | 5" to 10" Hg Vacuum | 15" Hg Vacuum | 20" to 24" Hg Vacuum | 26" to 28" Hg Vacuum | QTY |
|----------------------------|--------------------------------|---------------------|---------------|----------------------|----------------------|------|
| 1 | Separation Chamber | DR0278 | DR0278 | DR0278 | DR0278 | 1 |
| 2 | Gasket | DG0082 | DG0082 | DG0082 | DG0082 | 2 |
| 19a | Water Level Glass Holder | DV0343 | DV0343 | DV0343 | DV0343 | 1 |
| 19c | Guage Glass Only | DV0353 | DV0353 | DV0353 | DV0353 | 1 |
| 19B | Guard Rod | DV0383 | DV0383 | DV0383 | DV0383 | 2 |
| 20 | Air Vent Housing Gasket | DG0001 | DG0001 | DG0001 | DG0001 | 1 |
| 21 | Air Vent Housing | DL0594 | DL0594 | DL0594 | DL0594 | 1 |
| 22 | Nozzle Body Gasket | DG0150 | DG0150 | DG0150 | DG0150 | 2 |
| 23 | Venturi (1) | DL1211 | DL1211 | DL1211 | DL1211 | 1 |
| 24 | Nozzle Body | DL1441 | DL1441 | DL1441 | DL1441 | 1 |
| 25 | Nozzle (1) | DL2060 | DL2060 | DL2060 | DL2060 | 1 |
| 26 | Nozzle Retaining Ring (Pin) | DL1486 | DL1486 | DL1486 | DL1486 | 1 |
| 27 | Dishcharge Manifold Gasket | DG0151 | DG0151 | DG0151 | DG0151 | 1 |
| 28 | Dishcharge Manifold | DL1476 | DL1476 | DL1476 | DL1476 | 1 |
| 29 | Manifold Cover Gasket | DG0127 | DG0127 | DG0127 | DG0127 | 1 |
| 30 | Manifold Cover | DA0150 | DA0150 | DA0150 | DA0150 | 1 |
| 31 | Check Valve Mtg. Flange Gasket | DG0116 | DG0116 | DG0116 | DG0116 | 1 |
| 32 | Check Valve | DV0083 | DV0083 | DV0083 | DV0083 | 1 |
| 33 | Check Valve Mounting Flange | DV0121 | DV0121 | DV0121 | DV0121 | 1 |
| 34 | Manifold Insert | DL1702 | DL1702 | DL1702 | DL1702 | 1 |
| 35 | Manifold Elbow Gasket | DG0142 | DG0142 | DG0142 | DG0142 | 2 |
| 36 | Manifold Elbow | DL1718 | DL1718 | DL1718 | DL1718 | 1 |
| Vacuum Switch | Fitting (Straight) | DF0506 | DF0506 | DF0506 | DF0506 | 3 |
| Vacuum Switch | Fitting (angle) | DF0507 | DF0507 | DF0507 | DF0507 | 1 |
| Vacuum Switch | Capscrew 1/4 -20 | DJ0023 | DJ0023 | DJ0023 | DJ0023 | 2 |
| Air Vent Hsg /Nozzle Bdy | Stud bolt 3/8-16 | DJ0471 | DJ0471 | DJ0471 | DJ0471 | 12 |
| Air Vent Hsg /Nozzle Bdy | Nut 3/8-16 | P52380 | P52380 | P52380 | P52380 | 12 |
| Pump Mounting | Stud, pump case 5/8-11 | DJ0489 | DJ0478 | DJ0478 | DJ0478 | 8 |
| Pump Mounting | Nut 5/8-11 | DJ0232 | DJ0232 | DJ0232 | DJ0232 | 8 |
| Check Vlave seat | Stud 5/16-18 Brass | DV0032 | DV0032 | DV0032 | DV0032 | 4 |
| Check Vlave seat | Nut 5/16-18 Brass | DJ0226 | DJ0226 | DJ0226 | DJ0226 | 4 |
| Receiver | Blind Flange | DP0777 | DP0777 | DP0777 | DP0777 | 1 |
| Receiver | Nozzle body Blind Flange | DL1466 | DL1466 | DL1466 | DL1466 | 1 |
| Discharge manifold & Cover | Capscrew 5/16-18 | J92291 | J92291 | J92291 | J92291 | 16 |
| Vacuum Switch | Copper Tubing | X42104 | X42104 | X42104 | X42104 | 1.25 |
| for make up | Y Strainer | DA0031 | DA0031 | DA0031 | DA0031 | 1 |
| for make up | Nipple | DL0021 | DL0021 | DL0021 | DL0021 | 1 |
| for make up | Nipple | DL0060 | DL0060 | DL0060 | DL0060 | 1 |
| for make up | Plug | H47900 | H47900 | H47900 | H47900 | 1 |
| for make up | Reducing Tee | J89108 | J89108 | J89108 | J89108 | 1 |
| for make up | Hex Bushing | J89428 | J89428 | J89428 | J89428 | 1 |
| for make up | Solenoid Valve Asm (115 V) | 180092 | 180092 | 180092 | 180092 | 1 |
| If no TLS or Thermometer | Plug | DF0299 | DF0299 | DF0299 | DF0299 | 2 |
| Nozzle Body | Plug | P39040 | P39040 | P39040 | P39040 | 1 |
| Drain | Plug | U19200 | U19200 | U19200 | U19200 | 1 |
| | Vacuum Switch | DE0987 | DE0987 | DE0987 | DE0987 | 1 |
| | Capscrew | DJ0063 | DJ0063 | DJ0063 | DJ0063 | 4 |
| | Washer | DJ0278 | DJ0278 | DJ0278 | DJ0278 | 4 |

(1) KLJ Units use DL1174 Venturi, DL1340 Nozzle & DP0432 Impeller @ 8-1/16" diameter

| ITEM NO. | Part Name | 5" to 10" Hg Vacuum | 15" Hg Vacuum | 20" to 24" Hg Vacuum | 26" to 28" Hg Vacuum | QTY |
|----------------------------|--------------------------------|------------------------|------------------|-------------------------|-------------------------|-----|
| 1 | Separation Chamber | DR0278 | DR0278 | DR0278 | DR0278 | 1 |
| 2 | Gasket | DG0082 | DG0082 | DG0082 | DG0082 | 2 |
| 19a | Water Level Glass Holder | DV0343 | DV0343 | DV0343 | DV0343 | 1 |
| 19c | Guage Glass Only | DV0353 | DV0353 | DV0353 | DV0353 | 1 |
| 19B | Guard Rod | DV0383 | DV0383 | DV0383 | DV0383 | 2 |
| 20 | Air Vent Housing Gasket | DG0001 | DG0001 | DG0001 | DG0001 | 1 |
| 21 | Air Vent Housing | DL0594 | DL0594 | DL0594 | DL0594 | 1 |
| 22 | Nozzle Body Gasket | DG0150 | DG0150 | DG0150 | DG0150 | 2 |
| 23 | Venturi (1) | DL1211 | DL1211 | DL1211 | DL1211 | 2 |
| 24 | Nozzle Body | DL1441 | DL1441 | DL1441 | DL1441 | 2 |
| 25 | Nozzle (1) | DL2060 | DL2060 | DL2060 | DL2060 | 2 |
| 26 | Nozzle Retaining Ring (Pin) | DL1486 | DL1486 | DL1486 | DL1486 | 2 |
| 27 | Dishcharge Manifold Gasket | DG0151 | DG0151 | DG0151 | DG0151 | 2 |
| 28 | Dishcharge Manifold | DL1476 | DL1476 | DL1476 | DL1476 | 2 |
| 29 | Manifold Cover Gasket | DG0127 | DG0127 | DG0127 | DG0127 | 2 |
| 30 | Manifold Cover | DA0150 | DA0150 | DA0150 | DA0150 | 2 |
| 31 | Check Valve Mtg. Flange Gasket | DG0116 | DG0116 | DG0116 | DG0116 | 2 |
| 32 | Check Valve | DV0083 | DV0083 | DV0083 | DV0083 | 2 |
| 33 | Check Valve Mounting Flange | DV0121 | DV0121 | DV0121 | DV0121 | 2 |
| 34 | Manifold Insert | DL1702 | DL1702 | DL1702 | DL1702 | 2 |
| 35 | Manifold Elbow Gasket | DG0142 | DG0142 | DG0142 | DG0142 | 4 |
| 36 | Manifold Elbow | DL1718 | DL1718 | DL1718 | DL1718 | 2 |
| Vacuum Switch | Fitting (Straight) | DF0506 | DF0506 | DF0506 | DF0506 | 6 |
| Vacuum Switch | Fitting (angle) | DF0507 | DF0507 | DF0507 | DF0507 | 2 |
| Vacuum Switch | Capscrew 1/4 -20 | DJ0023 | DJ0023 | DJ0023 | DJ0023 | 4 |
| Air Vent Hsg /Nozzle Bdy | Stud bolt 3/8-16 | DJ0471 | DJ0471 | DJ0471 | DJ0471 | 12 |
| Air Vent Hsg /Nozzle Bdy | Nut 3/8-16 | P52380 | P52380 | P52380 | P52380 | 24 |
| Pump Mounting | Stud, pump case 5/8-11 | DJ0489 | DJ0478 | DJ0478 | DJ0478 | 8 |
| Pump Mounting | Nut 5/8-11 | DJ0232 | DJ0232 | DJ0232 | DJ0232 | 8 |
| Check Vlve seat | Stud 5/16-18 Brass | DV0032 | DV0032 | DV0032 | DV0032 | 8 |
| Check Vlve seat | Nut 5/16-18 Brass | DJ0226 | DJ0226 | DJ0226 | DJ0226 | 8 |
| Receiver | Blind Flange | DP0777 | DP0777 | DP0777 | DP0777 | 1 |
| Receiver | Nozzle body Blind Flange | DL1466 | DL1466 | DL1466 | DL1466 | 1 |
| Discharge manifold & Cover | Capscrew 5/16-18 | J92291 | J92291 | J92291 | J92291 | 32 |
| Vacuum Switch | Copper Tubing | X42104 | X42104 | X42104 | X42104 | 2.5 |
| for make up | Y Strainer | DA0031 | DA0031 | DA0031 | DA0031 | 1 |
| for make up | Nipple | DL0021 | DL0021 | DL0021 | DL0021 | 1 |
| for make up | Nipple | DL0060 | DL0060 | DL0060 | DL0060 | 1 |
| for make up | Plug | H47900 | H47900 | H47900 | H47900 | 1 |
| for make up | Reducing Tee | J89108 | J89108 | J89108 | J89108 | 1 |
| for make up | Hex Bushing | J89428 | J89428 | J89428 | J89428 | 1 |
| for make up | Solenoid Valve Asm (115 V) | 180092 | 180092 | 180092 | 180092 | 1 |
| If no TLS or Thermometer | Plug | DF0299 | DF0299 | DF0299 | DF0299 | 2 |
| Nozzle Body | Plug | P39040 | P39040 | P39040 | P39040 | 3 |
| Drain | Plug | U19200 | U19200 | U19200 | U19200 | 1 |
| | Vacuum Switch | DE0987 | DE0987 | DE0987 | DE0987 | 2 |
| | Capscrew | DJ0063 | DJ0063 | DJ0063 | DJ0063 | 4 |
| | Washer | DJ0278 | DJ0278 | DJ0278 | DJ0278 | 8 |

(1) KLJ Units use DL1174 Venturi, DL1340 Nozzle & DP0432 Impeller @ 8-1/16" diameter

| ITEM | | 5" to 10" | 15" | 20" to 24" | 26" to 28" | QTY |
|----------------------------|--------------------------------|-----------|-----------|------------|------------|------|
| NO. | Part Name | Hg Vacuum | Hg Vacuum | Hg Vacuum | Hg Vacuum | |
| 1 | Separation Chamber | DR0278 | DR0278 | DR0278 | DR0278 | 1 |
| 2 | Gasket | DG0082 | DG0082 | DG0082 | DG0082 | 2 |
| 19a | Water Level Glass Holder | DV0343 | DV0343 | DV0343 | DV0343 | 1 |
| 19c | Guage Glass Only | DV0353 | DV0353 | DV0353 | DV0353 | 1 |
| 19B | Guard Rod | DV0383 | DV0383 | DV0383 | DV0383 | 2 |
| 20 | Air Vent Housing Gasket | DG0001 | DG0001 | DG0001 | DG0001 | 1 |
| 21 | Air Vent Housing | DL0594 | DL0594 | DL0594 | DL0594 | 1 |
| 22 | Nozzle Body Gasket | DG0150 | DG0150 | DG0150 | DG0150 | 2 |
| 23 | Venturi (1) | DL1214 | DL1214 | DL1212 | DL1212 | 1 |
| 24 | Nozzle Body | DL1442 | DL1442 | DL1442 | DL1442 | 1 |
| 25 | Nozzle (1) | DL1356 | DL1356 | DL1356 | DL1356 | 1 |
| 26 | Nozzle Retaining Ring | DL1487 | DL1487 | DL1487 | DL1487 | 1 |
| 27 | Dishcharge Manifold Gasket | DG0151 | DG0151 | DG0151 | DG0151 | 1 |
| 28 | Dishcharge Manifold | DL1478 | DL1478 | DL1478 | DL1478 | 1 |
| 29 | Manifold Cover Gasket | DG0127 | DG0127 | DG0127 | DG0127 | 1 |
| 30 | Manifold Cover | DL1740 | DL1740 | DL1740 | DL1740 | 1 |
| 31 | Check Valve Mtg. Flange Gasket | DG0116 | DG0116 | DG0116 | DG0116 | 1 |
| 32 | Check Valve | DV0083 | DV0083 | DV0083 | DV0083 | 1 |
| 33 | Check Valve Mounting Flange | DV0121 | DV0121 | DV0121 | DV0121 | 1 |
| 34 | Manifold Insert | DL1704 | DL1704 | DL1704 | DL1704 | 1 |
| 35 | Manifold Elbow Gasket | DG0142 | DG0142 | DG0142 | DG0142 | 2 |
| 36 | Manifold Elbow | DL1718 | DL1718 | DL1718 | DL1718 | 1 |
| Vacuum Switch | Fitting (Straight) | DF0506 | DF0506 | DF0506 | DF0506 | 3 |
| Vacuum Switch | Fitting (angle) | DF0507 | DF0507 | DF0507 | DF0507 | 1 |
| Vacuum Switch | Capscrew 1/4 -20 | DJ0023 | DJ0023 | DJ0023 | DJ0023 | 2 |
| Air Vent Hsg /Nozzle Bdy | Stud bolt 3/8-16 | DJ0471 | DJ0471 | DJ0471 | DJ0471 | 12 |
| Air Vent Hsg /Nozzle Bdy | Nut 3/8-16 | P52380 | P52380 | P52380 | P52380 | 12 |
| Pump Mounting | Stud, pump case 5/8-11 | DJ0489 | DJ0489 | DJ0478 | DJ0478 | 8 |
| Pump Mounting | Nut 5/8-11 | DJ0232 | DJ0232 | DJ0232 | DJ0232 | 8 |
| Check Vlve seat | Stud 5/16-18 Brass | DV0032 | DV0032 | DV0032 | DV0032 | 4 |
| Check Vlve seat | Nut 5/16-18 Brass | DJ0226 | DJ0226 | DJ0226 | DJ0226 | 4 |
| Receiver | Blind Flange | DP0777 | DP0777 | DP0777 | DP0777 | 1 |
| Receiver | Nozzle body Blind Flange | DL1466 | DL1466 | DL1466 | DL1466 | 1 |
| Discharge manifold & Cover | Capscrew 5/16-18 | J92291 | J92291 | J92291 | J92291 | 16 |
| Vacuum Switch | Copper Tubing | X42104 | X42104 | X42104 | X42104 | 1.25 |
| for make up | Y Strainer | DA0031 | DA0031 | DA0031 | DA0031 | 1 |
| for make up | Nipple | DL0021 | DL0021 | DL0021 | DL0021 | 1 |
| for make up | Nipple | DL0060 | DL0060 | DL0060 | DL0060 | 1 |
| for make up | Plug | H47900 | H47900 | H47900 | H47900 | 1 |
| for make up | Reducing Tee | J89108 | J89108 | J89108 | J89108 | 1 |
| for make up | Hex Bushing | J89428 | J89428 | J89428 | J89428 | 1 |
| for make up | Solenoid Valve Asm (115 V) | 180092 | 180092 | 180092 | 180092 | 1 |
| If no TLS or Thermometer | Plug | DF0299 | DF0299 | DF0299 | DF0299 | 2 |
| Nozzle Body | Plug | P39040 | P39040 | P39040 | P39040 | 3 |
| Drain | Plug | U19200 | U19200 | U19200 | U19200 | 1 |
| | Vacuum Switch | DE0987 | DE0987 | DE0987 | DE0989 | 1 |
| | Capscrew | DJ0063 | DJ0063 | DJ0063 | DJ0063 | 4 |
| | Washer | DJ0278 | DJ0278 | DJ0278 | DJ0278 | 4 |

(1) KLJ Units use Q82827 Venturi, Q82826 Nozzle & DP0448 Impeller @ 8-1/2" diameter.

Pumps from 1985 or earlier supplied with motor bracket w/ wear ring.

100 D 7.5-17

| ITEM | | 5" to 10" | 15" | 20" to 24" | 26" to 28" | QTY |
|----------------------------|--------------------------------|-----------|-----------|------------|------------|-----|
| NO. | Part Name | Hg Vacuum | Hg Vacuum | Hg Vacuum | Hg Vacuum | |
| 1 | Separation Chamber | DR0278 | DR0278 | DR0278 | DR0278 | 1 |
| 2 | Gasket | DG0082 | DG0082 | DG0082 | DG0082 | 2 |
| 19a | Water Level Glass Holder | DV0343 | DV0343 | DV0343 | DV0343 | 1 |
| 19c | Guage Glass Only | DV0353 | DV0353 | DV0353 | DV0353 | 1 |
| 19B | Guard Rod | DV0383 | DV0383 | DV0383 | DV0383 | 2 |
| 20 | Air Vent Housing Gasket | DG0001 | DG0001 | DG0001 | DG0001 | 1 |
| 21 | Air Vent Housing | DL0594 | DL0594 | DL0594 | DL0594 | 1 |
| 22 | Nozzle Body Gasket | DG0150 | DG0150 | DG0150 | DG0150 | 2 |
| 23 | Venturi (1) | DL1214 | DL1214 | DL1212 | DL1212 | 2 |
| 24 | Nozzle Body | DL1442 | DL1442 | DL1442 | DL1442 | 2 |
| 25 | Nozzle (1) | DL1356 | DL1356 | DL1356 | DL1356 | 2 |
| 26 | Nozzle Retaining Ring | DL1487 | DL1487 | DL1487 | DL1487 | 2 |
| 27 | Dishcharge Manifold Gasket | DG0151 | DG0151 | DG0151 | DG0151 | 2 |
| 28 | Dishcharge Manifold | DL1478 | DL1478 | DL1478 | DL1478 | 1 |
| 29 | Manifold Cover Gasket | DG0127 | DG0127 | DG0127 | DG0127 | 2 |
| 30 | Manifold Cover | DL1740 | DL1740 | DL1740 | DL1740 | 2 |
| 31 | Check Valve Mtg. Flange Gasket | DG0116 | DG0116 | DG0116 | DG0116 | 2 |
| 32 | Check Valve | DV0083 | DV0083 | DV0083 | DV0083 | 2 |
| 33 | Check Valve Mounting Flange | DV0121 | DV0121 | DV0121 | DV0121 | 2 |
| 34 | Manifold Insert | DL1704 | DL1704 | DL1704 | DL1704 | 2 |
| 35 | Manifold Elbow Gasket | DG0142 | DG0142 | DG0142 | DG0142 | 4 |
| 36 | Manifold Elbow | DL1718 | DL1718 | DL1718 | DL1718 | 2 |
| Vacuum Switch | Fitting (Straight) | DF0506 | DF0506 | DF0506 | DF0506 | 6 |
| Vacuum Switch | Fitting (angle) | DF0507 | DF0507 | DF0507 | DF0507 | 2 |
| Vacuum Switch | Capscrew 1/4 -20 | DJ0023 | DJ0023 | DJ0023 | DJ0023 | 4 |
| Air Vent Hsg /Nozzle Bdy | Stud bolt 3/8-16 | DJ0471 | DJ0471 | DJ0471 | DJ0471 | 12 |
| Air Vent Hsg /Nozzle Bdy | Nut 3/8-16 | P52380 | P52380 | P52380 | P52380 | 24 |
| Pump Mounting | Stud, pump case 5/8-11 | DJ0489 | DJ0489 | DJ0478 | DJ0478 | 8 |
| Pump Mounting | Nut 5/8-11 | DJ0232 | DJ0232 | DJ0232 | DJ0232 | 8 |
| Check Vlave seat | Stud 5/16-18 Brass | DV0032 | DV0032 | DV0032 | DV0032 | 8 |
| Check Vlave seat | Nut 5/16-18 Brass | DJ0226 | DJ0226 | DJ0226 | DJ0226 | 8 |
| Discharge manifold & Cover | Capscrew 5/16-18 | J92291 | J92291 | J92291 | J92291 | 32 |
| Vacuum Switch | Copper Tubing | X42104 | X42104 | X42104 | X42104 | 2.5 |
| for make up | Y Strainer | DA0031 | DA0031 | DA0031 | DA0031 | 1 |
| for make up | Nipple | DL0021 | DL0021 | DL0021 | DL0021 | 1 |
| for make up | Nipple | DL0060 | DL0060 | DL0060 | DL0060 | 1 |
| for make up | Plug | H47900 | H47900 | H47900 | H47900 | 1 |
| for make up | Reducing Tee | J89108 | J89108 | J89108 | J89108 | 1 |
| for make up | Hex Bushing | J89428 | J89428 | J89428 | J89428 | 1 |
| for make up | Solenoid Valve Asm (115 V) | 180092 | 180092 | 180092 | 180092 | 1 |
| If no TLS or Thermometer | Plug | DF0299 | DF0299 | DF0299 | DF0299 | 2 |
| Nozzle Body | Plug | P39040 | P39040 | P39040 | P39040 | 3 |
| Drain | Plug | U19200 | U19200 | U19200 | U19200 | 1 |
| | Vacuum Switch | DE0987 | DE0987 | DE0987 | DE0989 | 2 |
| | Capscrew | DJ0063 | DJ0063 | DJ0063 | DJ0063 | 4 |
| | Washer | DJ0278 | DJ0278 | DJ0278 | DJ0278 | 8 |

(1) KLJ Units use Q82827 Venturi, Q82826 Nozzle & DP0448 Impeller @ 8-1/2" diameter.
Pumps from 1985 or earlier supplied with motor bracket w/ wear ring.

| ITEM | | 5" to 10" | 15" | 20" to 24" | 26" to 28" | QTY |
|----------------------------|--------------------------------|-----------|-----------|------------|------------|------|
| NO. | Part Name | Hg Vacuum | Hg Vacuum | Hg Vacuum | Hg Vacuum | |
| 1 | Separation Chamber | DT0430 | DT0430 | DT0430 | DT0430 | 1 |
| 2 | Gasket | DG0082 | DG0082 | DG0082 | DG0082 | 2 |
| 19a | Water Level Glass Holder | DV0343 | DV0343 | DV0343 | DV0343 | 1 |
| 19c | Guage Glass Only | DV0361 | DV0353 | DV0353 | DV0353 | 1 |
| 19B | Guard Rod | DV0387 | DV0383 | DV0383 | DV0383 | 2 |
| 22 | Nozzle Body Gasket | DG0150 | DG0150 | DG0150 | DG0150 | 2 |
| 23 | Venturi | DL1203 | DL1203 | DL1206 | DL1206 | 1 |
| 24 | Nozzle Body | DL1442 | DL1442 | DL1442 | DL1442 | 1 |
| 25 | Nozzle | DL1355 | DL1355 | DL1357 | DL1357 | 1 |
| 26 | Nozzle Retaining Ring | DL1487 | DL1487 | DL1487 | DL1487 | 1 |
| | Dishcharge Manifold Gasket | DG0191 | DG0191 | DG0191 | DG0191 | 6 |
| 27 | Dishcharge Manifold Gasket | DG0151 | DG0151 | DG0151 | DG0151 | 1 |
| 28 | Dishcharge Manifold | DL1477 | DL1477 | DL1477 | DL1477 | 1 |
| 29 | Manifold Cover Gasket | DG0127 | DG0127 | DG0127 | DG0127 | 1 |
| 30 | Manifold Cover | DL1740 | DL1740 | DL1740 | DL1740 | 1 |
| 31 | Check Valve Mtg. Flange Gasket | DG0116 | DG0116 | DG0116 | DG0116 | 1 |
| 32 | Check Valve | DV0083 | DV0083 | DV0083 | DV0083 | 1 |
| 33 | Check Valve Mounting Flange | DV0122 | DV0122 | DV0122 | DV0122 | 1 |
| 35 | Manifold Elbow Gasket | DG0142 | DG0142 | DG0142 | DG0142 | 2 |
| 36 | Manifold Elbow | DL1730 | DL1730 | DL1730 | DL1730 | 1 |
| | Gasket | DG0157 | DG0157 | DG0157 | DG0157 | 1 |
| Vacuum Switch | Fitting (Straight) | DF0506 | DF0506 | DF0506 | DF0506 | 3 |
| Vacuum Switch | Fitting (angle) | DF0507 | DF0507 | DF0507 | DF0507 | 1 |
| Vacuum Switch | Capscrew 1/4 -20 | DJ0023 | DJ0023 | DJ0023 | DJ0023 | 2 |
| Air Vent Hsg /Nozzle Bdy | Stud bolt 3/8-16 | DJ0471 | DJ0471 | DJ0471 | DJ0471 | 12 |
| Air Vent Hsg /Nozzle Bdy | Nut 3/8-16 | P52380 | P52380 | P52380 | P52380 | 12 |
| Pump Mounting | Stud, pump case 5/8-11 | DJ0489 | DJ0489 | DJ0478 | DJ0478 | 8 |
| Pump Mounting | Nut 5/8-11 | DJ0232 | DJ0232 | DJ0232 | DJ0232 | 8 |
| Check Vlave seat | Stud 5/16-18 Brass | DV0032 | DV0032 | DV0032 | DV0032 | 4 |
| Check Vlave seat | Nut 5/16-18 Brass | DJ0226 | DJ0226 | DJ0226 | DJ0226 | 4 |
| Discharge manifold & Cover | Capscrew 5/16-18 | J92291 | J92291 | J92291 | J92291 | 16 |
| Vacuum Switch | Copper Tubing | X42104 | X42104 | X42104 | X42104 | 1.25 |
| for make up | Y Strainer | DA0031 | DA0031 | DA0031 | DA0031 | 1 |
| for make up | Nipple | DL0021 | DL0021 | DL0021 | DL0021 | 1 |
| for make up | Nipple | DL0060 | DL0060 | DL0060 | DL0060 | 1 |
| for make up | Plug | H47900 | H47900 | H47900 | H47900 | 1 |
| for make up | Reducing Tee | J89108 | J89108 | J89108 | J89108 | 1 |
| for make up | Hex Bushing | J89428 | J89428 | J89428 | J89428 | 1 |
| for make up | Solenoid Valve Asm (115 V) | 180092 | 180092 | 180092 | 180092 | 1 |
| If no TLS or Thermometer | Plug | DF0299 | DF0299 | DF0299 | DF0299 | 1 |
| Nozzle Body | Plug | P39040 | P39040 | P39040 | P39040 | 3 |
| Drain | Plug | U19200 | U19200 | U19200 | U19200 | 1 |
| | Vacuum Switch | DE0987 | DE0987 | DE0987 | DE0989 | 1 |
| Pump | Blind Flange | DP0777 | DP0777 | DP0777 | DP0777 | 1 |
| Nozzle Body | Blind Flange | DL1466 | DL1466 | DL1466 | DL1466 | 1 |
| | Plug | P39010 | P39010 | P39010 | P39010 | 1 |
| | Capscrew | DJ0063 | DJ0063 | DJ0063 | DJ0063 | 4 |
| | Washer | DJ0278 | DJ0278 | DJ0278 | DJ0278 | 4 |

(*) KLJ units used DP0470 Impeller @ 8-13/16" diameter.

Pumps from 1985 or earlier supplied with motor bracket w/ wear ring.

| ITEM NO. | Part Name | 5" to 10" Hg Vacuum | 15" Hg Vacuum | 20" to 24" Hg Vacuum | 26" to 28" Hg Vacuum | QTY |
|----------|---|------------------------|------------------|-------------------------|-------------------------|-----|
| 1 | Separation Chamber | DT0430 | DT0430 | DT0430 | DT0430 | 1 |
| 2 | Gasket | DG0082 | DG0082 | DG0082 | DG0082 | 2 |
| 19a | Water Level Glass Holder | DV0343 | DV0343 | DV0343 | DV0343 | 1 |
| 19c | Guage Glass Only | DV0361 | DV0353 | DV0353 | DV0353 | 1 |
| 19B | Guard Rod | DV0387 | DV0383 | DV0383 | DV0383 | 2 |
| 22 | Nozzle Body Gasket | DG0150 | DG0150 | DG0150 | DG0150 | 2 |
| 23 | Venturi | DL1203 | DL1203 | DL1206 | DL1206 | 2 |
| 24 | Nozzle Body | DL1442 | DL1442 | DL1442 | DL1442 | 2 |
| 25 | Nozzle | DL1355 | DL1355 | DL1357 | DL1357 | 2 |
| 26 | Nozzle Retaining Ring | DL1487 | DL1487 | DL1487 | DL1487 | 2 |
| | Dishcharge Manifold Gasket | DG0191 | DG0191 | DG0191 | DG0191 | 8 |
| 27 | Dishcharge Manifold Gasket | DG0151 | DG0151 | DG0151 | DG0151 | 2 |
| 28 | Dishcharge Manifold | DL1477 | DL1477 | DL1477 | DL1477 | 2 |
| 29 | Manifold Cover Gasket | DG0127 | DG0127 | DG0127 | DG0127 | 2 |
| 30 | Manifold Cover | DL1740 | DL1740 | DL1740 | DL1740 | 2 |
| 31 | Check Valve Mtg. Flange Gasket | DG0116 | DG0116 | DG0116 | DG0116 | 2 |
| 32 | Check Valve | DV0083 | DV0083 | DV0083 | DV0083 | 2 |
| 33 | Check Valve Mounting Flange | DV0122 | DV0122 | DV0122 | DV0122 | 2 |
| 35 | Manifold Elbow Gasket | DG0142 | DG0142 | DG0142 | DG0142 | 4 |
| 36 | Manifold Elbow | DL1730 | DL1730 | DL1730 | DL1730 | 2 |
| | Gasket | DG0157 | DG0157 | DG0157 | DG0157 | 1 |
| | Vacuum Switch Fitting (Straight) | DF0506 | DF0506 | DF0506 | DF0506 | 6 |
| | Vacuum Switch Fitting (angle) | DF0507 | DF0507 | DF0507 | DF0507 | 2 |
| | Vacuum Switch Capscrew 1/4 -20 | DJ0023 | DJ0023 | DJ0023 | DJ0023 | 4 |
| | Air Vent Hsg /Nozzle Bdy Stud bolt 3/8-16 | DJ0471 | DJ0471 | DJ0471 | DJ0471 | 12 |
| | Air Vent Hsg /Nozzle Bdy Nut 3/8-16 | P52380 | P52380 | P52380 | P52380 | 24 |
| | Pump Mounting Stud, pump case 5/8-11 | DJ0489 | DJ0489 | DJ0478 | DJ0478 | 8 |
| | Pump Mounting Nut 5/8-11 | DJ0232 | DJ0232 | DJ0232 | DJ0232 | 8 |
| | Check Vlave seat Stud 5/16-18 Brass | DV0032 | DV0032 | DV0032 | DV0032 | 8 |
| | Check Vlave seat Nut 5/16-18 Brass | DJ0226 | DJ0226 | DJ0226 | DJ0226 | 8 |
| | Discharge manifold & Cover Capscrew 5/16-18 | J92291 | J92291 | J92291 | J92291 | 32 |
| | Vacuum Switch Copper Tubing | X42104 | X42104 | X42104 | X42104 | 2.5 |
| | for make up Y Strainer | DA0031 | DA0031 | DA0031 | DA0031 | 1 |
| | for make up Nipple | DL0021 | DL0021 | DL0021 | DL0021 | 1 |
| | for make up Nipple | DL0060 | DL0060 | DL0060 | DL0060 | 1 |
| | for make up Plug | H47900 | H47900 | H47900 | H47900 | 1 |
| | for make up Reducing Tee | J89108 | J89108 | J89108 | J89108 | 1 |
| | for make up Hex Bushing | J89428 | J89428 | J89428 | J89428 | 1 |
| | for make up Solenoid Valve Asm (115 V) | 180092 | 180092 | 180092 | 180092 | 1 |
| | If no TLS or Thermometer Plug | DF0299 | DF0299 | DF0299 | DF0299 | 1 |
| | Nozzle Body Plug | P39040 | P39040 | P39040 | P39040 | 3 |
| | Drain Plug | U19200 | U19200 | U19200 | U19200 | 1 |
| | Vacuum Switch | DE0987 | DE0987 | DE0987 | DE0989 | 2 |
| | Capscrew | DJ0063 | DJ0063 | DJ0063 | DJ0063 | 4 |
| | Washer | DJ0278 | DJ0278 | DJ0278 | DJ0278 | 8 |

(*) KLJ units used DP0470 Impeller @ 8-13/16" diameter.

Pumps from 1985 or earlier supplied with motor bracket w/ wear ring.

| ITEM | | 5" to 10" | 15" | 20" to 24" | 26" to 28" | QTY |
|----------------------------|--------------------------------|-----------|-----------|------------|------------|------|
| NO. | Part Name | Hg Vacuum | Hg Vacuum | Hg Vacuum | Hg Vacuum | |
| 1 | Separation Chamber | DT0430 | DT0430 | DT0430 | DT0430 | 1 |
| 2 | Gasket | DG0082 | DG0082 | DG0082 | DG0082 | 2 |
| 19a | Water Level Glass Holder | DV0343 | DV0343 | DV0343 | DV0343 | 1 |
| 19c | Guage Glass Only | DV0361 | DV0353 | DV0353 | DV0353 | 1 |
| 19B | Guard Rod | DV0387 | DV0383 | DV0383 | DV0383 | 2 |
| 22 | Nozzle Body Gasket | DG0150 | DG0150 | DG0150 | DG0150 | 2 |
| 23 | Venturi (1) | DL1203 | DL1203 | DL1202 | DL1202 | 1 |
| 24 | Nozzle Body | DL1442 | DL1442 | DL1442 | DL1442 | 1 |
| 25 | Nozzle (1) | DL1377 | DL1377 | DL1377 | DL1377 | 1 |
| 26 | Nozzle Retaining Ring | DL1487 | DL1487 | DL1487 | DL1487 | 1 |
| | Dishcharge Manifold Gasket | DG0191 | DG0191 | DG0191 | DG0191 | 6 |
| 27 | Dishcharge Manifold Gasket | DG0151 | DG0151 | DG0151 | DG0151 | 1 |
| 28 | Dishcharge Manifold | DL1477 | DL1477 | DL1477 | DL1477 | 1 |
| 29 | Manifold Cover Gasket | DG0127 | DG0127 | DG0127 | DG0127 | 1 |
| 30 | Manifold Cover | DL1740 | DL1740 | DL1740 | DL1740 | 1 |
| 31 | Check Valve Mtg. Flange Gasket | DG0116 | DG0116 | DG0116 | DG0116 | 1 |
| 32 | Check Valve | DV0083 | DV0083 | DV0083 | DV0083 | 1 |
| 33 | Check Valve Mounting Flange | DV0122 | DV0122 | DV0122 | DV0122 | 1 |
| 35 | Manifold Elbow Gasket | DG0142 | DG0142 | DG0142 | DG0142 | 2 |
| 36 | Manifold Elbow | DL1730 | DL1730 | DL1730 | DL1730 | 1 |
| | Gasket | DG0157 | DG0157 | DG0157 | DG0157 | 1 |
| Vacuum Switch | Fitting (Straight) | DF0506 | DF0506 | DF0506 | DF0506 | 3 |
| Vacuum Switch | Fitting (angle) | DF0507 | DF0507 | DF0507 | DF0507 | 1 |
| Vacuum Switch | Capscrew 1/4 -20 | DJ0023 | DJ0023 | DJ0023 | DJ0023 | 2 |
| Air Vent Hsg /Nozzle Bdy | Stud bolt 3/8-16 | DJ0471 | DJ0471 | DJ0471 | DJ0471 | 12 |
| Air Vent Hsg /Nozzle Bdy | Nut 3/8-16 | P52380 | P52380 | P52380 | P52380 | 12 |
| Pump Mounting | Stud, pump case 5/8-11 | DJ0489 | DJ0489 | DJ0478 | DJ0478 | 8 |
| Pump Mounting | Nut 5/8-11 | DJ0232 | DJ0232 | DJ0232 | DJ0232 | 8 |
| Check Vlave seat | Stud 5/16-18 Brass | DV0032 | DV0032 | DV0032 | DV0032 | 4 |
| Check Vlave seat | Nut 5/16-18 Brass | DJ0226 | DJ0226 | DJ0226 | DJ0226 | 4 |
| Discharge manifold & Cover | Capscrew 5/16-18 | J92291 | J92291 | J92291 | J92291 | 16 |
| Vacuum Switch | Copper Tubing | X42104 | X42104 | X42104 | X42104 | 1.25 |
| for make up | Y Strainer | DA0031 | DA0031 | DA0031 | DA0031 | 1 |
| for make up | Nipple | DL0021 | DL0021 | DL0021 | DL0021 | 1 |
| for make up | Nipple | DL0060 | DL0060 | DL0060 | DL0060 | 1 |
| for make up | Plug | H47900 | H47900 | H47900 | H47900 | 1 |
| for make up | Reducing Tee | J89108 | J89108 | J89108 | J89108 | 1 |
| for make up | Hex Bushing | J89428 | J89428 | J89428 | J89428 | 1 |
| for make up | Solenoid Valve Asm (115 V) | 180092 | 180092 | 180092 | 180092 | 1 |
| If no TLS or Thermometer | Plug | DF0299 | DF0299 | DF0299 | DF0299 | 1 |
| Nozzle Body | Plug | P39040 | P39040 | P39040 | P39040 | 3 |
| Drain | Plug | U19200 | U19200 | U19200 | U19200 | 1 |
| | Vacuum Switch | DE0987 | DE0987 | DE0987 | DE0989 | 1 |
| Pump | Blind Flange | DP0777 | DP0777 | DP0777 | DP0777 | 1 |
| Nozzle Body | Blind Flange | DL1466 | DL1466 | DL1466 | DL1466 | 1 |
| | Plug | P39010 | P39010 | P39010 | P39010 | 1 |
| | Capscrew | DJ0063 | DJ0063 | DJ0063 | DJ0063 | 4 |
| | Washer | DJ0278 | DJ0278 | DJ0278 | DJ0278 | 4 |

(1) KLJ Units use DL1207 Venturi, DL1353 Nozzle & DP0470 Impeller @ 9-7/8" diameter.

Pumps from 1985 or earlier supplied with motor bracket w/ wear ring.

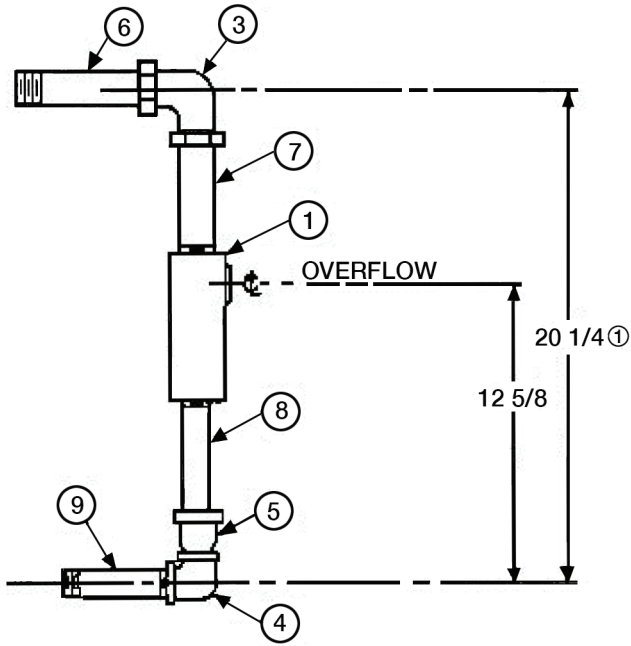
| ITEM NO. | Part Name | 5" to 10" Hg Vacuum | 15" Hg Vacuum | 20" to 24" Hg Vacuum | 26" to 28" Hg Vacuum | QTY |
|----------|---|------------------------|------------------|-------------------------|-------------------------|-----|
| 1 | Separation Chamber | DT0430 | DT0430 | DT0430 | DT0430 | 1 |
| 2 | Gasket | DG0082 | DG0082 | DG0082 | DG0082 | 2 |
| 19a | Water Level Glass Holder | DV0343 | DV0343 | DV0343 | DV0343 | 1 |
| 19c | Guage Glass Only | DV0361 | DV0353 | DV0353 | DV0353 | 1 |
| 19B | Guard Rod | DV0387 | DV0383 | DV0383 | DV0383 | 2 |
| 22 | Nozzle Body Gasket | DG0150 | DG0150 | DG0150 | DG0150 | 2 |
| 23 | Venturi (1) | DL1203 | DL1203 | DL1202 | DL1202 | 2 |
| 24 | Nozzle Body | DL1442 | DL1442 | DL1442 | DL1442 | 2 |
| 25 | Nozzle (1) | DL1377 | DL1377 | DL1377 | DL1377 | 2 |
| 26 | Nozzle Retaining Ring | DL1487 | DL1487 | DL1487 | DL1487 | 2 |
| | Dishcharge Manifold Gasket | DG0191 | DG0191 | DG0191 | DG0191 | 8 |
| 27 | Dishcharge Manifold Gasket | DG0151 | DG0151 | DG0151 | DG0151 | 2 |
| 28 | Dishcharge Manifold | DL1477 | DL1477 | DL1477 | DL1477 | 2 |
| 29 | Manifold Cover Gasket | DG0127 | DG0127 | DG0127 | DG0127 | 2 |
| 30 | Manifold Cover | DL1740 | DL1740 | DL1740 | DL1740 | 2 |
| 31 | Check Valve Mtg. Flange Gasket | DG0116 | DG0116 | DG0116 | DG0116 | 2 |
| 32 | Check Valve | DV0083 | DV0083 | DV0083 | DV0083 | 2 |
| 33 | Check Valve Mounting Flange | DV0122 | DV0122 | DV0122 | DV0122 | 2 |
| 35 | Manifold Elbow Gasket | DG0142 | DG0142 | DG0142 | DG0142 | 4 |
| 36 | Manifold Elbow | DL1730 | DL1730 | DL1730 | DL1730 | 2 |
| | Gasket | DG0157 | DG0157 | DG0157 | DG0157 | 1 |
| | Vacuum Switch Fitting (Straight) | DF0506 | DF0506 | DF0506 | DF0506 | 6 |
| | Vacuum Switch Fitting (angle) | DF0507 | DF0507 | DF0507 | DF0507 | 2 |
| | Vacuum Switch Capscrew 1/4 -20 | DJ0023 | DJ0023 | DJ0023 | DJ0023 | 4 |
| | Air Vent Hsg /Nozzle Bdy Stud bolt 3/8-16 | DJ0471 | DJ0471 | DJ0471 | DJ0471 | 12 |
| | Air Vent Hsg /Nozzle Bdy Nut 3/8-16 | P52380 | P52380 | P52380 | P52380 | 24 |
| | Pump Mounting Stud, pump case 5/8-11 | DJ0489 | DJ0489 | DJ0478 | DJ0478 | 8 |
| | Pump Mounting Nut 5/8-11 | DJ0232 | DJ0232 | DJ0232 | DJ0232 | 8 |
| | Check Vlave seat Stud 5/16-18 Brass | DV0032 | DV0032 | DV0032 | DV0032 | 8 |
| | Check Vlave seat Nut 5/16-18 Brass | DJ0226 | DJ0226 | DJ0226 | DJ0226 | 8 |
| | Discharge manifold & Cover Capscrew 5/16-18 | J92291 | J92291 | J92291 | J92291 | 32 |
| | Vacuum Switch Copper Tubing | X42104 | X42104 | X42104 | X42104 | 2.5 |
| | for make up Y Strainer | DA0031 | DA0031 | DA0031 | DA0031 | 1 |
| | for make up Nipple | DL0021 | DL0021 | DL0021 | DL0021 | 1 |
| | for make up Nipple | DL0060 | DL0060 | DL0060 | DL0060 | 1 |
| | for make up Plug | H47900 | H47900 | H47900 | H47900 | 1 |
| | for make up Reducing Tee | J89108 | J89108 | J89108 | J89108 | 1 |
| | for make up Hex Bushing | J89428 | J89428 | J89428 | J89428 | 1 |
| | for make up Solenoid Valve Asm (115 V) | 180092 | 180092 | 180092 | 180092 | 1 |
| | If no TLS or Thermometer Plug | DF0299 | DF0299 | DF0299 | DF0299 | 1 |
| | Nozzle Body Plug | P39040 | P39040 | P39040 | P39040 | 3 |
| | Drain Plug | U19200 | U19200 | U19200 | U19200 | 1 |
| | Vacuum Switch | DE0987 | DE0987 | DE0987 | DE0989 | 2 |
| | Capscrew | DJ0063 | DJ0063 | DJ0063 | DJ0063 | 4 |
| | Washer | DJ0278 | DJ0278 | DJ0278 | DJ0278 | 8 |

(1) KLJ Units use DL1207 Venturi, DL1353 Nozzle & DP0470 Impeller @ 9-7/8" diameter.

Pumps from 1985 or earlier supplied with motor bracket w/ wear ring.

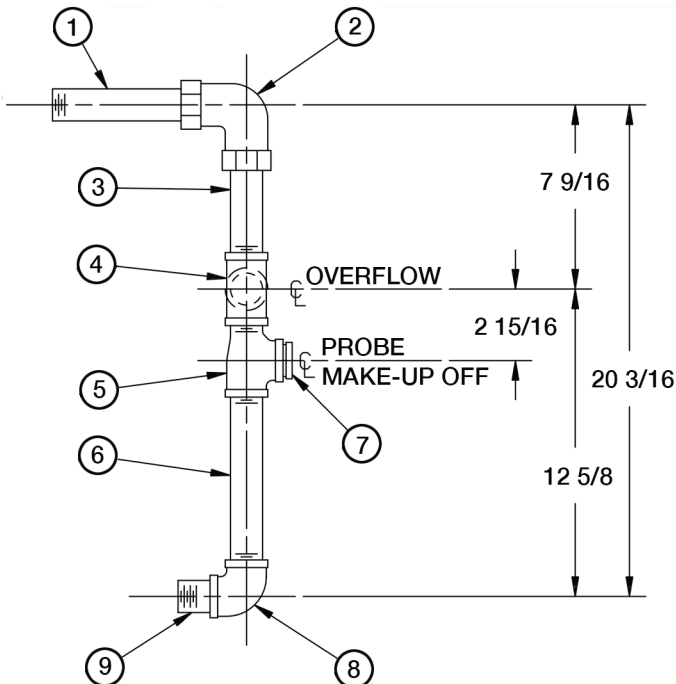
Float Switch Assembly for 20 MJ Units

HURLING CHAMBER FLOAT SWITCH ASSEMBLY 1972 THROUGH JULY 1999



| Item # | Part # |
|--------|--------|
| 1 | 180091 |
| 3 | DF0121 |
| 4 | J89082 |
| 5 | DF0065 |
| 6 | DL0258 |
| 7 | DL0246 |
| 8 | DL0245 |
| 9 | DL0081 |

HURLING CHAMBER LEVEL CONTROL/PROBE STYLE AUGUST 1999 THROUGH PRESENT

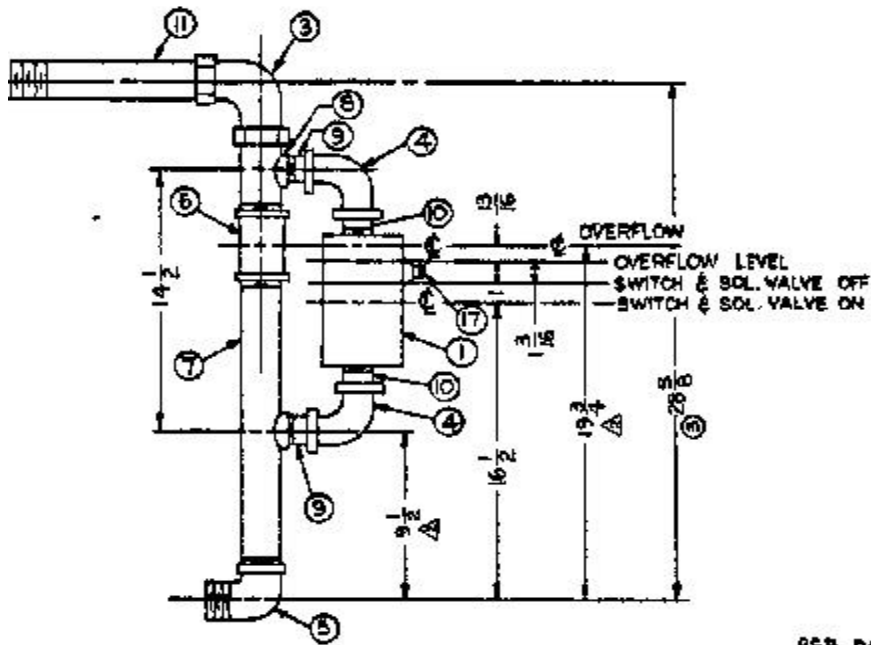


| Item # | Part # |
|--------|--------|
| 1 | DL0258 |
| 2 | DF0121 |
| 3 | DL0246 |
| 4 | S01840 |
| 5 | DL0253 |
| 6 | J89415 |
| 7 | P23150 |
| 8 | DL0081 |
| PROBE* | 153875 |

*Probe available in 115V only
Transformer required in control panel

Float Switch Assembly for 50 MJ Units

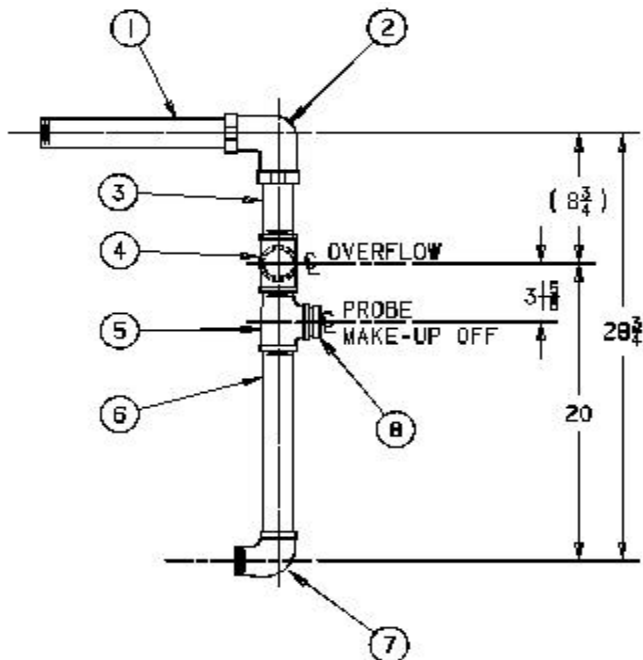
HURLING CHAMBER FLOAT SWITCH ASSEMBLY 1972 THROUGH JULY 1999



| Item # | Part # |
|--------|--------------------|
| 1 | 180091 |
| 3 | DF0123 |
| 4 | DF0121 |
| 5 | DF0168 |
| 6 | P23860 |
| 7 | DL1434 |
| 8 | DL0421 |
| 9 | DL0235 |
| 10 | DL0238 |
| 11 | DL0300 |
| 17 | included in 180091 |

REP. BY

HURLING CHAMBER LEVEL CONTROL / PROBE STYLE AUGUST 1999 THROUGH PRESENT

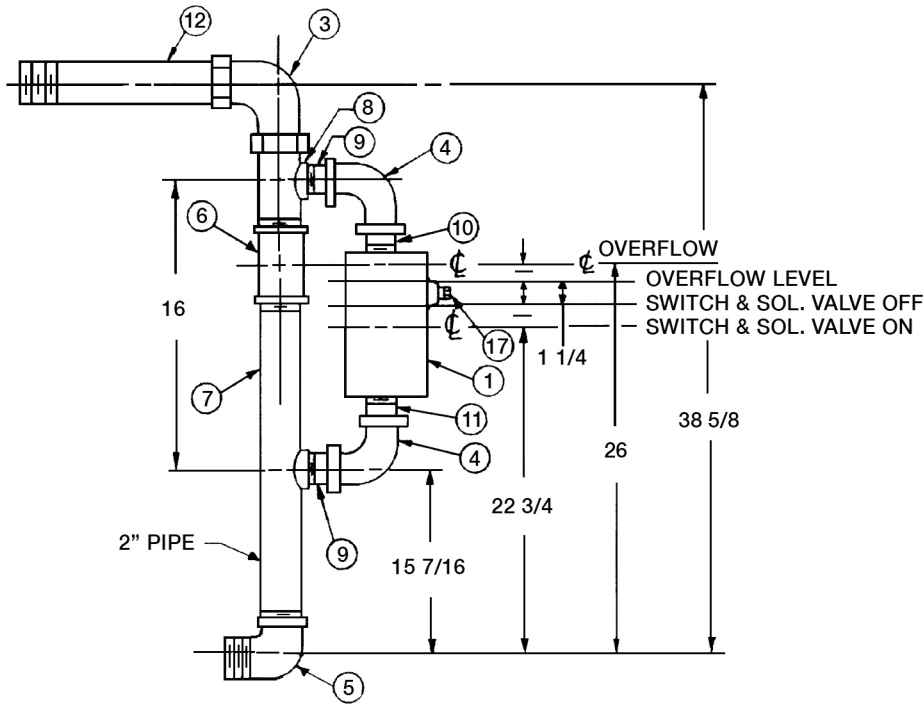


| Item # | Part # |
|--------|--------|
| 1 | DL0300 |
| 2 | DF0123 |
| 3 | DL0294 |
| 4 | P23860 |
| 5 | DF0691 |
| 6 | DL2239 |
| 7 | DF0168 |
| 8 | J89427 |
| PROBE* | 153875 |

*Probe available in 115V only
Transformer required in control panel

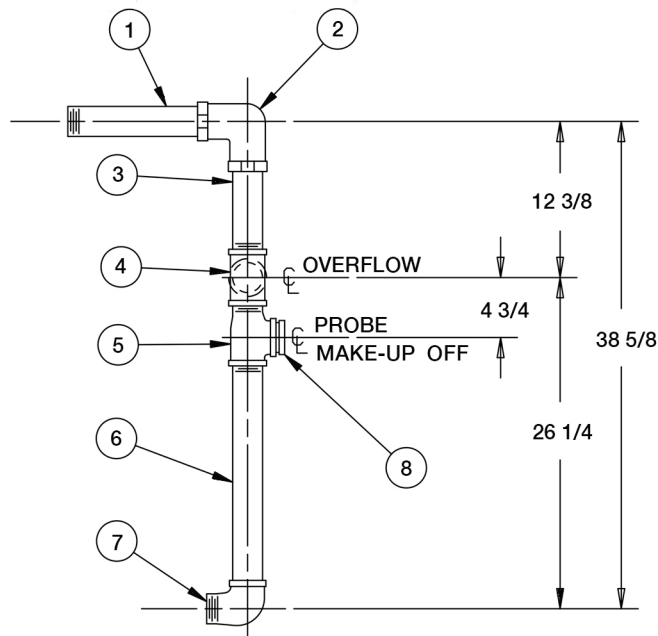
Float Switch Assembly for 100 MJ Units

HURLING CHAMBER FLOAT SWITCH ASSEMBLY 1972 THROUGH JULY 1999



| Item # | Part # |
|--------|--------------------|
| 1 | 180091 |
| 3 | DF0124 |
| 4 | DF0121 |
| 5 | DF0169 |
| 6 | P24360 |
| 7 | PL1453 |
| 8 | DL0424 |
| 9 | DL0235 |
| 10 | DL0240 |
| 11 | DL0238 |
| 17 | included in 180091 |

HURLING CHAMBER LEVEL CONTROL / PROBE STYLE AUGUST 1999 THROUGH PRESENT

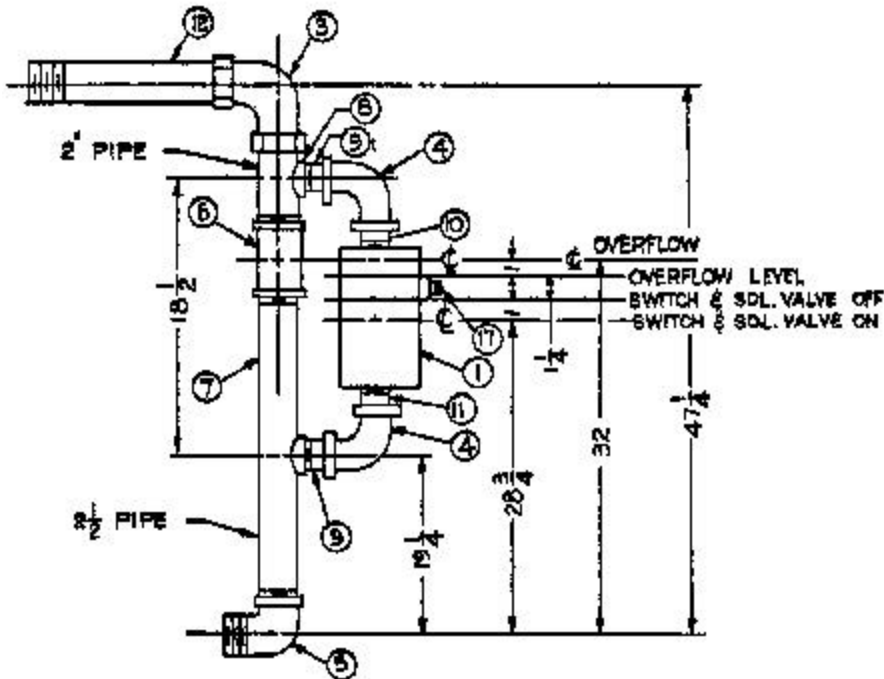


| Item # | Part # |
|--------|--------|
| 1 | DL0327 |
| 2 | DF0124 |
| 3 | DL2240 |
| 4 | P24360 |
| 5 | DF0690 |
| 6 | DL0342 |
| 7 | DF0169 |
| 8 | P20930 |
| PROBE* | 153875 |

*Probe available in 115V only
Transformer required in control panel

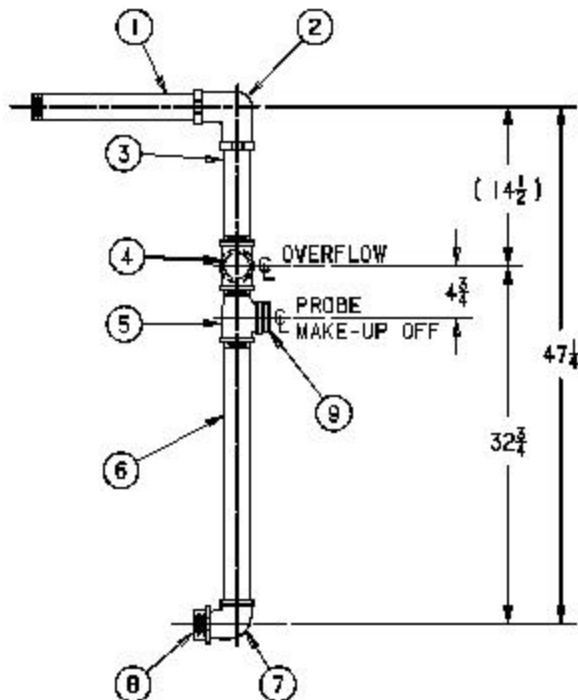
Float Switch Assembly for 160 MJ Units

HURLING CHAMBER FLOAT SWITCH ASSEMBLY 1972 THROUGH JULY 1999



| Item # | Part # |
|--------|--------------------|
| 1 | 180091 |
| 3 | DF0124 |
| 4 | DF0121 |
| 5 | DF0170 |
| 6 | J89126 |
| 7 | DL1454 |
| 8 | DL0423 |
| 9 | DL0235 |
| 10 | DL0240 |
| 11 | DL0246 |
| 12 | DL0333 |
| 17 | included in 180091 |

HURLING CHAMBER LEVEL CONTROL / PROBE STYLE AUGUST 1999 THROUGH PRESENT



| Item # | Part # |
|--------|--------|
| 1 | DL0333 |
| 2 | DF0124 |
| 3 | DL2241 |
| 4 | P24360 |
| 5 | DF0690 |
| 6 | DL2238 |
| 7 | DF0169 |
| 8 | DF0041 |
| 9 | P20930 |
| PROBE* | 153875 |

*Probe available in 115V only
Transformer required in control panel

Typical Pump Selections

| Unit Size | CFM | Inches of HG | Pump | Impeller Dia | Unit Size | CFM | Inches of HG | Pump | Impeller Dia |
|------------------|------|--------------|--------|--------------|-------------------|------|--------------|--------|--------------|
| 20 S or D .5-35 | 4.6 | 5 | 616 PF | 4 | 50 S or D 3-35 | 31 | 5 | 625 PF | 4-1/4 |
| 20 S or D .5-35 | 3.9 | 10 | 616 PF | 4 | 50 S or D 3-35 | 26 | 10 | 625 PF | 4-1/4 |
| 20 S or D .5-35 | 3.4 | 15 | 616 PF | 4 | 50 S or D 3-35 | 20 | 15 | 625 PF | 4-1/4 |
| 20 S or D .5-35 | 2.1 | 20 | 616 PF | 4 | 50 S or D 3-35 | 18 | 20 | 625 PF | 4-1/4 |
| 20 S or D .5-35 | 1.5 | 22 | 616 PF | 4 | 50 S or D 3-35 | 18 | 22 | 625 PF | 4-1/4 |
| 20 S or D .5-35 | 1.3 | 24 | 616 PF | 4 | 50 S or D 3-35 | 18 | 24 | 625 PF | 4-1/4 |
| 20 S or D .5-35 | 0.9 | 26 | 616 PF | 4 | 50 S or D 3-35 | 17.5 | 26 | 625 PF | 4-1/4 |
| | | | | | 50 S or D 3-35 | 13.8 | 28 | 625 PF | 4-1/4 |
| 20 S or D .75-35 | 6 | 5 | 616 PF | 4-3/16 | 50 S or D 3-17 | 38 | 5 | 654 PF | 7-1/8 |
| 20 S or D .75-35 | 5.2 | 10 | 616 PF | 4-3/16 | 50 S or D 3-17 | 29.4 | 10 | 654 PF | 7-1/8 |
| 20 S or D .75-35 | 4 | 15 | 616 PF | 4-3/16 | 50 S or D 3-17 | 22.5 | 15 | 654 PF | 7-1/8 |
| 20 S or D .75-35 | 2.9 | 20 | 616 PF | 4-3/16 | 50 S or D 3-17 | 22.2 | 20 | 654 PF | 7-3/16 |
| 20 S or D .75-35 | 2.5 | 22 | 616 PF | 4-3/16 | 50 S or D 3-17 | 22 | 22 | 654 PF | 7-3/16 |
| 20 S or D .75-35 | 2 | 24 | 616 PF | 4-3/16 | 50 S or D 3-17 | 22 | 24 | 654 PF | 7-3/16 |
| 20 S or D .75-35 | 1.5 | 26 | 616 PF | 4-3/16 | 50 S or D 3-17 | 20 | 26 | 654 PF | 7-3/16 |
| 20 S or D .75-35 | 0.2 | 28 | 616 PF | 4-3/16 | 50 S or D 3-17 | 17 | 28 | 654 PF | 7-3/16 |
| 20 S or D 1-35 | 9 | 5 | 616 PF | 4-9/16 | 100 S or D 5-17 | 64 | 5 | 654 PF | 7-15/16 |
| 20 S or D 1-35 | 7.6 | 10 | 616 PF | 4-9/16 | 100 S or D 5-17 | 52 | 10 | 654 PF | 7-15/16 |
| 20 S or D 1-35 | 6.2 | 15 | 616 PF | 4-9/16 | 100 S or D 5-17 | 44 | 15 | 654 PF | 7-15/16 |
| 20 S or D 1-35 | 5.2 | 20 | 616 PF | 4-9/16 | 100 S or D 5-17 | 40 | 20 | 654 PF | 7-15/16 |
| 20 S or D 1-35 | 5 | 22 | 616 PF | 4-9/16 | 100 S or D 5-17 | 36 | 22 | 654 PF | 7-15/16 |
| 20 S or D 1-35 | 4.4 | 24 | 616 PF | 4-9/16 | 100 S or D 5-17 | 32 | 24 | 654 PF | 7-15/16 |
| 20 S or D 1-35 | 3.5 | 26 | 616 PF | 4-9/16 | 100 S or D 5-17 | 29 | 26 | 654 PF | 7-15/16 |
| 20 S or D 1-35 | 2 | 28 | 616 PF | 4-9/16 | 100 S or D 5-17 | 23.5 | 28 | 654 PF | 7-15/16 |
| 50 S or D 1.5-35 | 14 | 5 | 626 PF | 3-7/8 | 100 S or D 7.5-17 | 89 | 5 | 658 PF | 8-7/16 |
| 50 S or D 1.5-35 | 12 | 10 | 626 PF | 3-7/8 | 100 S or D 7.5-17 | 74 | 10 | 658 PF | 8-7/16 |
| 50 S or D 1.5-35 | 9 | 15 | 626 PF | 3-7/8 | 100 S or D 7.5-17 | 62 | 15 | 658 PF | 8-7/16 |
| 50 S or D 1.5-35 | 8 | 20 | 626 PF | 3-7/8 | 100 S or D 7.5-17 | 58 | 20 | 658 PF | 8-7/16 |
| 50 S or D 1.5-35 | 7 | 22 | 626 PF | 3-7/8 | 100 S or D 7.5-17 | 57 | 22 | 658 PF | 8-7/16 |
| 50 S or D 1.5-35 | 6.6 | 24 | 626 PF | 3-7/8 | 100 S or D 7.5-17 | 55 | 24 | 658 PF | 8-7/16 |
| 50 S or D 1.5-35 | 6.4 | 26 | 626 PF | 3-7/8 | 100 S or D 7.5-17 | 45 | 26 | 658 PF | 8-7/16 |
| 50 S or D 1.5-35 | 5 | 28 | 626 PF | 3-7/8 | 100 S or D 7.5-17 | 35 | 28 | 658 PF | 8-7/16 |
| 50 S or D 2-35 | 22.5 | 5 | 625 PF | 3-3/4 | 160 S or D 10-17 | 121 | 5 | 665 PF | 9-1/8 |
| 50 S or D 2-35 | 18 | 10 | 625 PF | 3-3/4 | 160 S or D 10-17 | 103 | 10 | 665 PF | 9-1/8 |
| 50 S or D 2-35 | 15.5 | 15 | 625 PF | 3-3/4 | 160 S or D 10-17 | 85 | 15 | 665 PF | 9-1/8 |
| 50 S or D 2-35 | 12 | 20 | 626 PF | 4-3/8 | 160 S or D 10-17 | 79 | 20 | 665 PF | 9-1/8 |
| 50 S or D 2-35 | 11.5 | 22 | 626 PF | 4-3/8 | 160 S or D 10-17 | 79 | 22 | 665 PF | 9-1/8 |
| 50 S or D 2-35 | 9 | 24 | 626 PF | 4-3/8 | 160 S or D 10-17 | 75 | 24 | 665 PF | 9-1/8 |
| 50 S or D 2-35 | 8.5 | 26 | 626 PF | 4-3/8 | 160 S or D 10-17 | 70 | 26 | 665 PF | 9-1/8 |
| 50 S or D 2-35 | 7.5 | 28 | 626 PF | 4-3/8 | 160 S or D 10-17 | 55 | 28 | 665 PF | 9-1/8 |
| | | | | | 160 S or D 15-17 | 172 | 5 | 665 PF | 10-1/16 |
| | | | | | 160 S or D 15-17 | 149 | 10 | 665 PF | 10-1/16 |
| | | | | | 160 S or D 15-17 | 134 | 15 | 665 PF | 10-1/16 |
| | | | | | 160 S or D 15-17 | 121 | 20 | 665 PF | 10-1/16 |
| | | | | | 160 S or D 15-17 | 114 | 22 | 665 PF | 10 |
| | | | | | 160 S or D 15-17 | 108 | 24 | 665 PF | 10 |
| | | | | | 160 S or D 15-17 | 101 | 26 | 665 PF | 10 |
| | | | | | 160 S or D 15-17 | 84 | 28 | 665 PF | 10 |

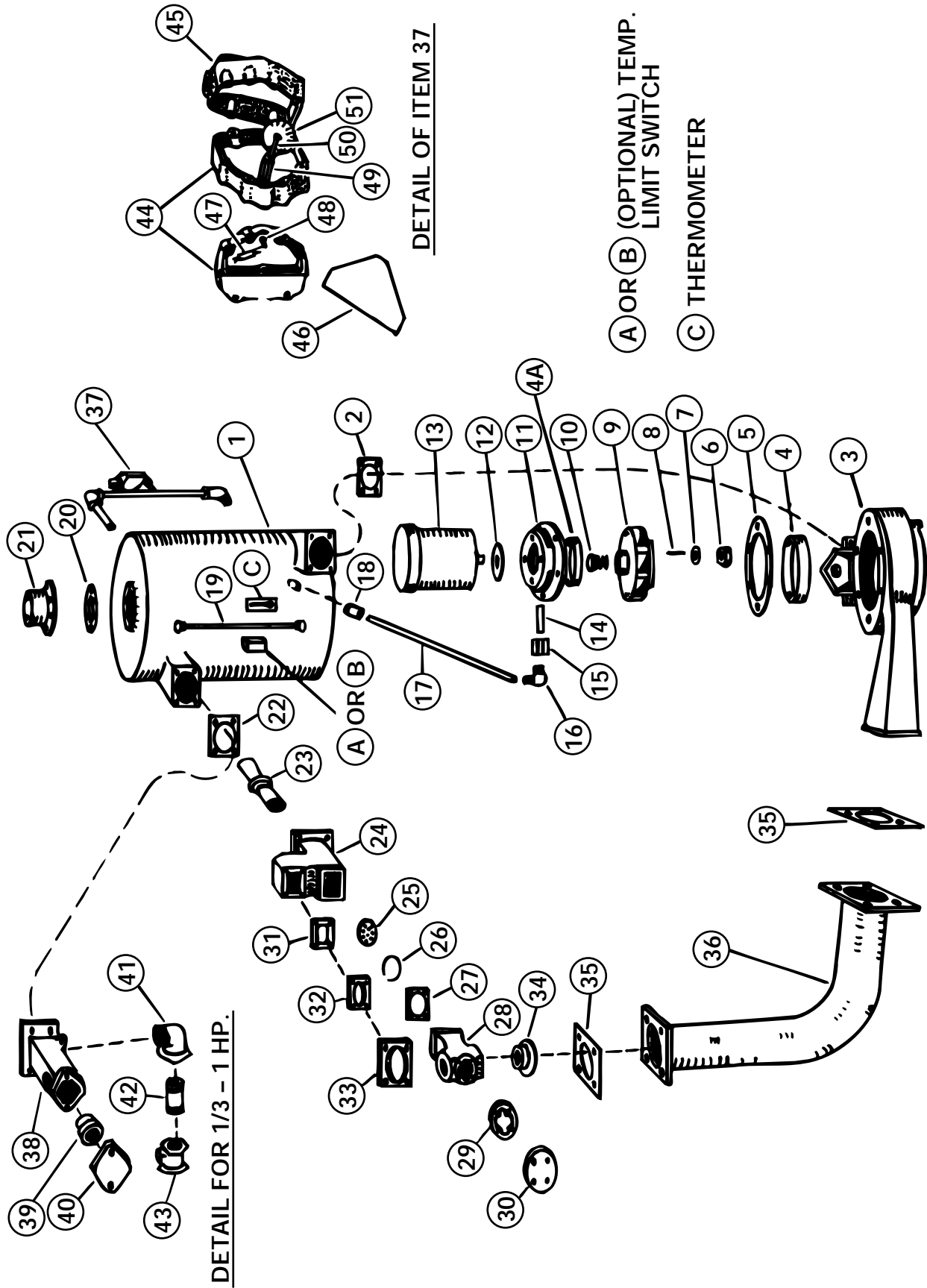
General Accessories

180091 HURLING CHAMBER FLOAT SWITCH PARTS

| | | |
|----|--------------------|--------|
| 47 | Micro Switch | DE0485 |
| 48 | Cam | DA0172 |
| 49 | Packing Tube Assm. | DA0430 |
| 50 | Float Rod | DA0232 |
| 51 | Float | DA0166 |

ACCESSORIES

| | |
|---|---------------|
| Complete Set of Gaskets (1/2 thru 1 HP) | 180018 |
| Complete Set of Gaskets (1-1/2 thru 15 HP) | 180020 |
| A. Temp Limit Switch (TLS1 to add @ 70) | DA0280 |
| A. Limit Switch Well (TLS1 to add @ 70) | DA0281 |
| B. Temp Limit Switch (TLS2) | DA0268 |
| B. Limit Switch Well (TLS2) | DA0269 |
| C. Thermometer (5" angle) | DA0104 |
| C. Thermometer, Dial | DA0101 |
| D. N4 Mercoïd Vac Switch | DE0984 |
| Lifting Eyes | DJ0322 |



DETAIL FOR 1/3 - 1 HP.

DETAIL OF ITEM 37

A OR B (OPTIONAL) TEMP.
LIMIT SWITCH
C THERMOMETER

Xylem |'zīləm|

- 1) The tissue in plants that brings water upward from the roots;
- 2) a leading global water technology company.

We're a global team unified in a common purpose: creating innovative solutions to meet our world's water needs. Developing new technologies that will improve the way water is used, conserved, and re-used in the future is central to our work. We move, treat, analyze, and return water to the environment, and we help people use water efficiently, in their homes, buildings, factories and farms. In more than 150 countries, we have strong, long-standing relationships with customers who know us for our powerful combination of leading product brands and applications expertise, backed by a legacy of innovation.

For more information on how Xylem can help you, go to www.xylem.com



Xylem Inc.
8200 N. Austin Avenue
Morton Grove, Illinois 60053
Phone: (847) 966-3700
Fax: (847) 965-8379
www.bellgossett.com

Bell & Gossett is a trademark of Xylem Inc. or one of its subsidiaries.
© 2016 Xylem Inc. DHP-500R3-PL April 2016